

TECHNICAL DATA SHEET

Ref. 500016

Unipolar battery

MASTER SWITCH

24VDC / 350A



GENERAL CHARACTERISTICS

Protection degree: IP67
Ambient temperature: -40°C to +85°C
Weight: 0.797 Kg approx.
Contacts: Copper
Connections: not polarized

FIELDS OF APPLICATION

Trucks, handling vehicles, industrial vehicles,
agriculture machinery, industry...

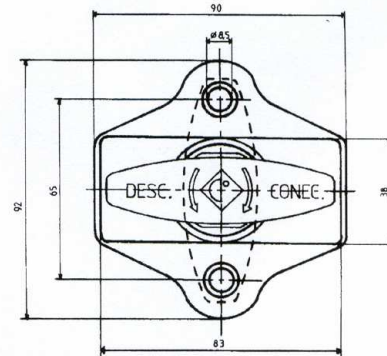
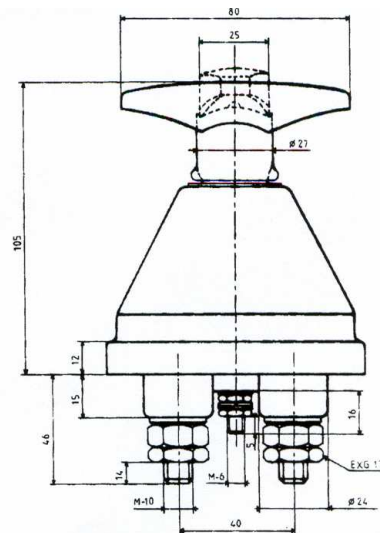
POWER CIRCUIT

Connection: M10 terminals / Aux: M6
Tightening torque: 1.5 +/- 0.1 daN·m
Type: D2d normally open
Nominal current: 350 A
Nominal voltage: 24 VDC
Max. capacity: 3500 A during 5 seconds

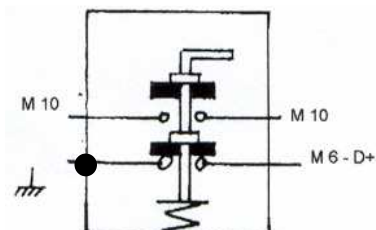
PARTICULAR CHARACTERISTICS:

Fixed Handle
Auxiliary circuit for alternator
with incorporated controller unit

Size diagrams



Connection diagram



Fixing diagram

