

GOAL ZERO

**YETI<sup>®</sup>1500X**

---

PORTABLE POWER STATION

---

**USER GUIDE**



**POWER. ANYTHING. ANYWHERE.**





## **CHARGE ME NOW**



Before using or storing, plug your Goal Zero Yeti into the wall until it is fully charged. Keep your Goal Zero Yeti plugged in when not in use to ensure it is always ready. This will NOT cause harm to your battery.

For more tips and tricks on keeping your battery healthy, see the BATTERIES 101 section.



## IMPORTANT SAFETY INSTRUCTIONS



Read all instructions and cautions carefully before use to avoid personal injury or damage to the unit and any connected products

**Observe all Input/Output connectors ratings:** To avoid fire or electrical shock hazard, observe all ratings on unit, and products you intend to use; check manuals for more information.

**Use in a ventilated area:** Ensure proper ventilation while in use and do not obstruct fan openings on unit. Inadequate ventilation may cause damage to the unit. Do not stack anything on top of the unit in storage or in use.

**Power supplies will get hot when in use:** Keep your Yeti Power supply in a dry, well ventilated area when in use. Do not keep the power supply under the lid when in use.

**DO NOT operate in wet conditions:** In order to avoid short circuits or electric shock do not allow unit to get wet. Let unit dry completely before using.

**Keep the unit clean and dry:** Inspect the unit for dirt, dust, or moisture on a regular basis.

**Shock or Fire Hazard:** This Yeti generates the same potentially lethal AC power as a normal household wall outlet. Please use it carefully just like using a normal AC outlet on the wall.

**DO NOT** insert foreign objects into outputs or ventilation holes.

**DO NOT** tamper with or attempt to replace your battery. For information about a replacement battery contact the Goal Zero solutions center.

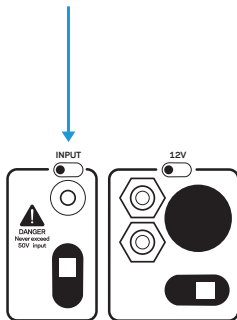
**Any manipulation to the unit or its components will void all warranties.**

## Table of Contents

Getting Started	
i. Get to Know Your Gear	2
ii. How it Works	
Charging Your Goal Zero Yeti	5
i. Charging from the Wall	
ii. Charging from Solar	
Using Your Goal Zero Yeti	7
i. How to use	
ii. Best-Use Strategy	
iii. Cold Weather Usage	
iv. LCD Display	
Storage and Downtime Maintenance	9
Technical Specifications	10
Frequently Asked Questions	12
Troubleshooting	14
Education	15
i. Batteries 101	
ii. Solar 101	
Warranty	17
Français	20
Deutsch	41
Español	62
Italiano	83
日本語	104

## Get To Know Your Gear

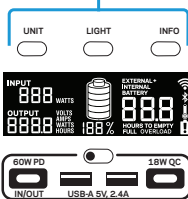
8mm Input for Charging from Goal Zero Solar Panels, or AC



Anderson Power Pole Input for Charging from Goal Zero Solar Panels, or AC

12V Outputs

Interactive Buttons and LCD Screen

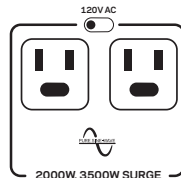


USB-C Input/Output Power Delivery 5-20V, up to 3A (60W)

USB 5V, up to 2.4A (12W)

USB-C 5-12V, 3A(18W)

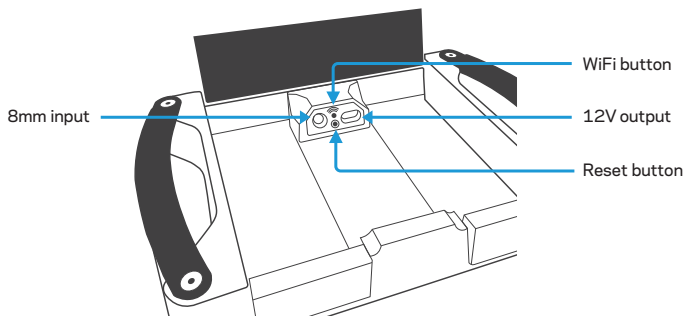
AC Outputs



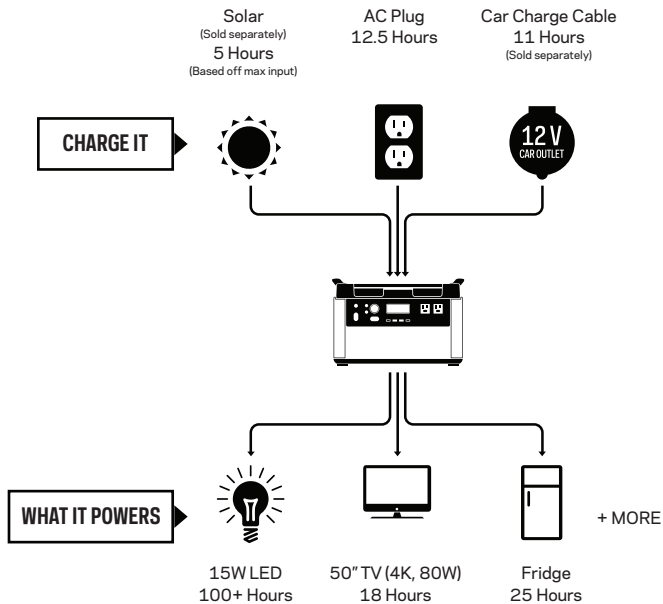
### Buttons Under Lid:

Pressing the WiFi button will activate the Yeti's WiFi for connection to a device. For information on connecting your device to the Yeti, see the included Yeti App Start Up Guide. Also, holding WiFi button switches between pairing and connecting modes.

Pressing and holding will perform a soft reset (does not perform a factory reset and does not reset the watt hours). Must hold units button to reset watt hour counter.



## How it Works





## Charging Your Goal Zero Yeti

**CHARGE ME NOW:** Before using or storing, plug your Goal Zero Yeti into the wall until it is fully charged. Keep your Goal Zero Yeti plugged in when not in use to ensure it is always ready. This will NOT cause harm to your battery. For more tips and tricks on keeping your battery healthy, see the BATTERIES 101 section.

When charging your Goal Zero Yeti, you will notice a battery segment blinking in the display. This indicates the current charge status. Once your Goal Zero Yeti is fully charged, all battery segments will be lit and remain solid. As long as there is more power going into the Goal Zero Yeti than is being pulled from the output ports, the display will also indicate the time until fully charged. This is an estimated time based on the power input and output numbers at that moment; it will gradually adjust to a shorter or longer time as the average charge or discharge rates fluctuate.

### Charging from the Wall

Using the included 120W AC Wall Charger, plug your Goal Zero Yeti into any wall outlet. You will know the Goal Zero Yeti is charging when the blue LED light next to the INPUT port turns on, and battery segments in the BATTERY DISPLAY are blinking. The Goal Zero Yeti is fully charged when all battery segments stop blinking and remain solid. The Goal Zero Yeti should recharge from the wall in about 1.3 hours.

1. The AC wall adapter comes in two pieces. Connect the two pieces by plugging the cable into the box.
2. The 120W AC Wall Charger with the 8mm DC barrel connector can be plugged into the front of the Yeti or under the lid.
3. You can only use one wall charger at a time. If you want to charge your Yeti faster, call our solutions center or look at our fast charge options on [goalzero.com](http://goalzero.com).

**NOTE:** To charge from your 12V output in your vehicle, use our 12V Car Charging Cable SKU 98079.

## Charging from Solar

**IMPORTANT NOTE: When solar recharging your Goal Zero Yeti, take note of the voltages of the solar panels and do not exceed 50V. Individual solar panels, or solar panels chained in series in excess of 50V cannot be used with the Goal Zero Yeti and can cause serious damage to the unit. For help on chaining solar panels, call our Customer Solutions Center at 888-794-6250.**

There are three different inputs you can use when charging your Goal Zero Yeti from solar, two of which are located in the "INPUT" area on the left side of the Goal Zero Yeti faceplate and a third one located inside the storage compartment under the top lid. One of the front ports and the port inside the storage compartment are round 8mm ports designed to be used with Goal Zero Solar Panels or wall charger. Each 8mm input port can handle up to 120W. The Anderson Power Pole port is designed to be used with larger or higher power solar panels and can handle 600W of power, which is the total capacity for power across all input ports.

1. Place your solar panel where it will get as much direct sunlight as possible.
2. Insert the blue-ringed solar panel plug into one of the INPUT ports, either on the front of the Goal Zero Yeti or in the storage compartment under the top lid. You will know the Goal Zero Yeti is charging when the blue LED light next to the INPUT port lights up, and the battery segments in the BATTERY DISPLAY are blinking. The Goal Zero Yeti is fully charged when all battery segments stop blinking and remain solid.
3. You can also connect the Goal Zero Yeti to solar panels using the Anderson Power-Pole port and the appropriate adapter (if necessary), next to the 8mm charging port.
4. You can chain multiple Goal Zero Solar Panels together to reduce solar recharge times. Your Goal Zero Yeti is capable of taking in 120W of input through the 8mm ports and no more than 600W of solar through the APP port.

**NOTE:** If you are inputting from solar panels into multiple ports you can only combine inputs if the panels being used are the same voltage. Panels that output different voltages will not be able to combine through different ports. If you are using panels with different voltages into two or more of the input ports, the Yeti will select the single highest solar input available. Also, solar and AC inputs will not be able to be combined. If you are inputting from both a solar panel and a wall outlet the Yeti will select the higher of the two inputs.

---

## Using your Goal Zero Yeti

### How to use your Goal Zero Yeti:

1. Press the power button located above each port you will be using. \*\*When not using certain ports, make sure to turn them off to conserve power.
2. You'll know the port is turned on when the white LED light on the button is illuminated.
3. Plug in your gear for power anywhere life takes you.
4. If possible, keep your Goal Zero Yeti plugged into a power source when not in use.
5. You can charge your Goal Zero Yeti, and run your gear at the same time.

### Best-Use Strategy:

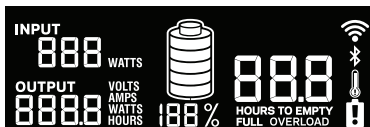
When charging gear with your Goal Zero Yeti, take note of the BATTERY DISPLAY. If you plug in devices that have a high power requirement (a large refrigerator), the charge level of your Goal Zero Yeti can drop very quickly and you may not get exactly 1500Wh of capacity. Also, especially when using the AC power output, the Goal Zero Yeti will be converting the energy from the DC power of the battery to the AC power needed by your device. Although your Goal Zero Yeti has a highly efficient inverter, there is still some energy lost in the conversion and you will not get the full rated capacity of the battery. If you're experiencing shorter runtimes, you may want to check the device's power requirements, see TROUBLESHOOTING for help.

## Cold Weather Usage:

Cold temperatures (below freezing) can impact the Goal Zero Yeti's battery capacity. If you'll be out living off-grid in sub-zero conditions, we recommend keeping your Goal Zero Yeti in an insulated cooler, connected to a power source (solar panels), and charging your gear. The natural heat generated by the Goal Zero Yeti contained in an insulated cooler will keep battery capacity at its highest. The Yeti will not allow charging below freezing for safety reasons. The unit will warn show a warning on the LCD as you approach this temperature

### LCD Display

The built-in LCD display indicates four important things:



1. INPUT shows the amount of power (watts) going into the Goal Zero Yeti while charging. If charging from solar, you'll see the watts change as you reposition the panels into/out of the sunlight.
2. OUTPUT shows the amount of power (watts) your devices are using while plugged into the Goal Zero Yeti.
3. TIME TO EMPTY/FULL shows the amount of time before your Goal Zero Yeti is completely charged or empty, depending on if the net amount of power going into the Goal Zero Yeti is positive or negative.
4. BATTERY LEVEL shows 5 segments, approximating 20% - 40% - 60% - 80% - 100% capacity. As you use your Goal Zero Yeti, segments will disappear from the display, indicating the remaining charge. When charging your Goal Zero Yeti you will notice a battery segment blinking. This indicates the current charge status. Once your Goal Zero Yeti is fully charged, all battery segments will be lit and remain solid. As long as there is more power going into the Goal Zero Yeti than is being pulled from the output ports, the display will also indicate the time until fully charged. This is an estimated time based on the power input and output numbers at that time; it will adjust to a shorter or longer time if the charge or discharge rates fluctuate. Note that when you first plug in a

power source, whether it's a solar panel or a wall charger, the Yeti may take a minute to detect and adjust its charge circuitry before it starts drawing power from the source.

5. The WiFi symbol indicates the Yeti's WiFi is turned on. If flashing, the Yeti is ready to connect to a device.

#### Front Buttons:

Pressing the LIGHT button will turn the display backlight on and off.

Pressing the UNIT button will scroll through different output and power consumption settings. Hold units + info to perform factory reset. this deletes wifi information and configurations. Hold units to reset watt hour counter.

Pressing the INFO button will alternate the screen between showing the detailed battery state of charge percentage and the Time to Empty/Full.

---

## Storage and Downtime Maintenance

Having your Goal Zero Yeti connected to a power source, like a solar panel or wall plug, between adventures or while in storage keeps its battery healthy and topped off. This prolongs battery life and will ensure your Goal Zero Yeti is charged and ready to go all day, every day.

**If you can't keep your Goal Zero Yeti plugged into a power source during storage, fully-charge your Goal Zero Yeti every 3 months and store it in a cool, dry place. If the Yeti has not been used for several months, it may require several charge cycles to restore accurate results on the battery percent and time remaining values on the screen. Failure to maintain your Goal Zero Yeti by following these steps can result in battery damage which will void the product warranty.**

## Technical Specifications

### Charge times:

Wall Charger (120W)	12.5 hrs
Car Charger (120W)	11-22 hrs
Goal Zero Boulder 50	35-70 hrs
Goal Zero Boulder 100	18-36 hrs
Goal Zero Boulder 200 briefcase	9-18 hrs

### Battery:

Cell Chemistry	Li-ion NMC
Pack Capacity	1516Wh (10.8V, 140.4Ah)
Single Cell Equivalent Capacity	421Ah @ 3.6V
Lifecycles	500 Cycles to 80% capacity (Discharge rate: 1C, Full charge/discharge, Temp: 25C)
Shelf-life	Charge every 3-6 months
Management System	MPPT charge controller

### Ports:

USB-A Port (output)	5V, up to 2.4A (12W max), regulated
USB-C Port (output)	5 - 12V, up to 3.0A (18W max), regulated
USB-PD Port (output)	5 - 20V, up to 3.0A (60W max), regulated
6mm Port (output, 6mm)	12V, up to 10A (120W max), regulated
12V Car Port (output)	12V, up to 13A (160W max), regulated
12V Power Pole port (output)	12V, up to 30A (360W max), regulated
120V AC Inverter (output, pure sine wave)	120VAC 60Hz, 16.5A (2000W, 3500W surge)
230V AC Inverter (output, pure sine wave) UNIVERSAL OR AUSTRALIA (TYPE 1) AC PLUGS	230VAC 50Hz, 8.5A (2000W, 3500W surge)
Charging Port (input, 8mm)	14-50V, up to 10A (120W max)
Power Pole Charging Port (input)	14-50V, up to 50A (600W max)
Expansion Module port	Covered port under the lid. To be used with Goal Zero expansion modules only.

## Technical Specifications




### WiFi:

RF Certification	FCC/CE/IC/TELEC/KCC/SRRC/NCC
Protocols	802.11 b/g/n (802.11n up to 150 Mbps)
Frequency Range	2.4-2.5 GHz

### Bluetooth:

Protocols	Bluetooth Low Energy
-----------	----------------------

### General:

Weight	45.64 lbs (20.7 kg)
Dimensions	15.25 x 10.23 x 10.37 in (38.74 x 25.98 x 34.54 cm)
Operating Usage Temp.	32-104 F (0-40 C)
Certs	  
Warranty	24 months

## Frequently Asked Questions

**My yeti is not responding or is exhibiting odd behavior what should I do?**

Try resetting the unit by holding the Units and Info button for 3 seconds to reset your Yeti. Check your Yeti to see if the issue is resolved after the reset.

**My new Yeti does not initially charge to 100%, it only charges to 95% what's going on?**

Cycle the battery a few times and the issue should resolve itself as the yeti dials in its charge parameters.

**Are there faster ways to recharge my Yeti?**

Yes, check out our full list of charging options at [Goalzero.com](http://Goalzero.com). Here we have options for fast charging as well as vehicle integration.

**There is a new version of Firmware available and I want to update my Yeti how do I do this?**

Download the goal Zero app from your favorite app store and follow the instructions there for an update to your Yeti.

**During the update process, my Yeti is stuck in a loop and keeps trying to update over and over unsuccessfully. How do I fix this?**

Try resetting the Yeti following the instructions from Q1 and restart the update process. This should fix the issue.

**What does the snowflake icon and the thermometer icon mean?**

If your yeti displays the thermometer icon and a warning of HOT or COLD, this means you are either approaching or have exceeded the temperature thresholds of the Yeti. A warning of "cold" means you will need to warm the yeti in order to resume full functionality while "hot" means you need to cool the unit.



**have my Yeti connected to a charger but it is at 98% and not charging, what is going on?**

In order to get the most life out of your battery we make sure to not stress the battery pack at the full state of charge. The battery will charge to 100% and then stop, self-discharge over time to 98% before the charge will engage again. If you are wanting to make sure your Yeti is completely topped off for upcoming use, unplugging and then re-plugging in your input cable should reengage the input and start the charge again

**My old Yeti accessory or charger is not working with my new Yeti X, should it be working?**

Some of the smaller power supplies and legacy chargers will not work with the new Yeti X. For a full list of compatible charger and accessories for your product please visit [www.gz.com/accessories](http://www.gz.com/accessories).

**Can I use my 3rd party panels with my Yeti**

Yes, you can, so long as you stay under 50V. If using multiple 3rd party panels, be careful! Chaining 3rd party panels together can be dangerous if done in the wrong way so visit our website [www.goalzero.com/serissparallel](http://www.goalzero.com/serissparallel) to learn how to safely combine panels.

**Can I chain multiple goal Zero panels into a Yeti X?**

Yes, our panels are designed to be safely chained together out of the box and eliminate the risks associated with 3rd party panels.

**My yeti is not responding or is exhibiting odd behavior what should I do?**

Your Goal Zero Yeti uses custom designed Lithium Ion. Here are some basic facts about Lithium Ion batteries:

1. . Lithium Ion batteries can store and release a lot of energy in a short period of time. The batteries in your Goal Zero Yeti are in a protective enclosure with a sophisticated battery management and protection system controlling its terminals to the outside world.
2. . It is critical that your battery does not get wet as moisture and water can get into the battery cells behind the protection circuitry and bypass that protection.

### **How do I know if my Goal Zero Yeti is charged?**

To check the charge level of your Goal Zero Yeti, refer to the Battery Display. When lit up, you'll see a battery outline with 5 segments, indicating the current charge level. It is OK to use your Goal Zero Yeti even when it's not fully charged.

### **How do I know if my device will work with the Goal Zero Yeti ?**

First, you'll need to determine the amount of power your device requires. This may require some research on your end, a good internet search or examining the user guide for your device should suffice.

Second, you will need to check the capacity for the individual output ports. For example, the Goal Zero Yeti's AC port is powered by an inverter that allows for 2000W of power. This means if your device is pulling more than 2000W for an extended period of time, the Goal Zero Yeti's inverter will shut off. Another number to watch for is the surge rating of your device as compared to that of the port. The Goal Zero Yeti inverter has an advanced surge management system that will maximize its compatibility with various devices, but there will still be items that will surge at a higher rate, and for a longer time, than the Goal Zero Yeti can manage, in which case the port will turn itself off.

Finally, once you know your device is compatible, you'll want to determine how long you'll be able to power your gear from the Goal Zero Yeti. Here's a quick and dirty lesson in power.

All GOAL ZERO Power Banks and Portable Power Stations have a number in their name, ex. Guide10 Plus recharger, Goal Zero Yeti 1500X. These numbers refer to the Watt Hours (Wh), or the amount of energy that can be stored in each recharger, and how you'll know if your gear is compatible with each recharger. For example, a 200Wh power station should run a 100W light for 2 hours ( $200/100=2$ ). If your gear falls within the 1500Wh capacity of the Goal Zero Yeti, you'll want to check the restrictions on each of the output ports.

Finally, once you know your device is compatible, you'll want to determine how long you'll be able to power your gear from the Goal Zero Yeti. Here's a quick and dirty lesson in power.

All GOAL ZERO Power Banks and Portable Power Stations have a number in their name, ex. Guide10 Plus recharger, Goal Zero Yeti 1500X. These numbers refer to the Watt Hours (Wh), or the amount of energy that can be stored in each recharger, and how you'll know if your gear is compatible with each recharger. For example, a 200Wh power station should run a 100W light for 2 hours ( $200/100=2$ ). If your gear falls within the 1500Wh capacity of the Goal Zero Yeti, you'll want to check the restrictions on each of the output ports.

Another factor in the math is how much power is being converted going from the Goal Zero Yeti battery to the device you are powering/charging. In some situations, like when running a 12V device, such as the LAL 350, directly off the 12V port, there will be minimal conversion and thus very little additional losses. In using the USB ports to charge a phone, you add a layer of conversion (12V battery in the Goal Zero Yeti is being converted to a 5V USB output), which introduces around 10% of losses. When using the inverter, there are two layers of conversion (12V to high voltage, DC to AC). The least efficient way of using the battery in the Goal Zero Yeti is to use an AC-DC adapter off the AC ports, as is the case if you use a phone wall charger to charge your phone, as it adds yet another layer of conversion in the wall adapter.

So when you're deciding on what to power from your new GOAL ZERO recharger, do some research into your device's watt consumption. For more quick tips and learning tools, check out [www.GoalZero.com/learn.html](http://www.GoalZero.com/learn.html)

## Troubleshooting

If your devices are not recharging from your Goal Zero Yeti, follow these steps:

1. Ensure the Output Port has been turned on. The white LED light on the power button should be lit up.

a. If any of the lights have turned red, this indicates a trip. Push the button again to reset it. The light will turn white when it is successfully reset.

2. Check the Battery Display. If it is at 20% or below, charge your Goal Zero Yeti.

3. Check the LCD Display for warning icons:

**OVERLOAD:** Power draw exceeds port's maximum allowance. Indicated by red light in the port's button.



Temperature warning.

Allow unit to cool.



Battery requires attention.

Contact customer support.

1-888-794-6250

4. Verify your device is suitable for use with the Goal Zero Yeti:

a. All of the Goal Zero Yeti output ports have their own max power capacity. Check the Goal Zero Yeti's Tech Specs to ensure your device is compatible.

5. If you are still experiencing trouble with your Goal Zero Yeti, please call our Customer Solutions Center at 1-888-794-6250 or by email at [support@goalzero.com](mailto:support@goalzero.com).

If you are having trouble with WiFi connection:

1. Press and hold the WiFi button for approximately 3 seconds to force the Yeti into connection mode. The WiFi symbol on the screen will begin to flash.

2. Reconnect your device to your Yeti following the instructions in the Goal Zero Yeti App.

## Education

**BATTERIES 101:** GOAL ZERO utilizes the latest and greatest in battery technology to accompany you on all life's adventures. From the versatile and lightweight Lithium Ion, to the robust and powerful Lead Acid, we've compiled some helpful tips to keep your GOAL ZERO batteries working their best.

### i. Batteries need exercise.

The best thing for any battery is to use it. Don't leave the battery sitting without being charged for extended periods of time. If you will be storing the Goal Zero Yeti without a charger, make sure it's fully charged before you put it away.

### ii. The "Battery Memory" myth.

Thanks to old Nickel-Cadmium (NiCd) batteries, there's a myth running around that you should completely drain your batteries before plugging them in for a recharge, called "deep cycling". Although true with NiCd batteries, the typical batteries you'll find in most of your gear today, including the advanced lithium and lead-acid batteries used in your GOAL ZERO rechargers, require no such draining. In fact, you should avoid deep cycling your batteries – it does more harm than good in most cases.

### iii. The "Stadium Effect"

The stadium effect occurs when recharging your batteries. You'll notice your battery quickly filling up in the beginning, then slowing down noticeably when trying to charge up the last several percentages. Think of how quickly a stadium fills up when the doors first open – there are hundreds of open seats so it's easy to find the one you want. Eventually there are only a few open seats here and there and people have to maneuver around to find the spot they want and filling those seats takes longer. The same theory applies to recharging batteries. It's easy for energy to flow in and take up empty space in the beginning, and as time goes on and there is less space available, it takes longer for the energy to fill in the holes.

### iv. Read the manual.

Yeah, it might be a long read, but the manual is the best place to find the dos and don'ts for the battery in your specific device. Reading your manual will ensure you're taking steps to keep your batteries happy and healthy.

**SOLAR 101:** GOAL ZERO makes it easy to recharge your gear from the sun – we didn't invent solar power, we perfected it. Some things to keep in mind when recharging your gear with solar power:

**i. Solar panels don't store power from the sun, they collect it.**

We teach you to COLLECT – STORE – USE, which is the best way to utilize solar power to recharge your gear. COLLECT the sun's energy with a solar panel. STORE the power in a recharger. USE the recharger to power your gear, day or night. If you're really a diehard, you can plug your gear directly into the junction box located on the back of our NOMAD Solar Panels to recharge from the sun.

**ii. Not all solar charge times are created equal.**

Most solar panel manufacturers calculate their recharge times with the following equation: Device Watt Hours/Solar Panel Watts = Solar Recharge Times. So theoretically, a 1.3 watt solar panel would recharge a 50 watt-hour recharger in 3.84 hours ( $50/13 = 3.84$ ) – and this is the number you could find in marketing material for a solar panel. However, in order to standardize results across all manufacturers, these tests are completed in laboratory settings. The truth is, on a good, sunny day, you'll receive about 50-75% of your solar panel's rated wattage, and this is how the engineers at GOAL ZERO calculate the solar recharge times you see on our packaging.

**iii. Solar works, even in overcast conditions.**

Solar panels utilize IR, UV, and visible rays from the sun that can penetrate through clouds. Although the efficiency of the solar panel will decrease in cloudy conditions, you'll still be collecting valuable power from the sun.

**iv. Keep away from shade and windows.**

Although you should seek out the shade on sunny days, your solar panels will collect more power when fully exposed to the sunlight. Windows also have a habit of decreasing efficiency. So keep those panels outside and in the bright sunlight.

**v. Proper alignment works wonders.**

Keeping your solar panel angled toward the sun can dramatically increase solar efficiency. Set it up and let Mother Nature do the rest.

## Warranty & Contact

### LIMITED WARRANTY

This LIMITED WARRANTY from GOAL ZERO LLC ("GOAL ZERO") warrants to the original consumer purchaser that this GOAL ZERO product will be free from defects in workmanship and material under normal consumer use during the applicable warranty period identified in Paragraph 2, below, subject to the exclusions set forth in Paragraph 5, below. The foregoing provisions state GOAL ZERO's entire liability, and your exclusive remedy, for any breach of warranty, express or implied. GOAL ZERO will not assume, nor authorize any person to assume for it, any other liability in connection with the sales of GOAL ZERO products.

### WARRANTY PERIOD

The warranty period for GOAL ZERO lead acid batteries (whether purchased on a stand-alone basis or as part of another product) is One Hundred and Eighty (180) days.

The warranty period for GOAL ZERO lithium battery based Yeti products and Boulder solar panels is two (2) years.

The warranty period for all other GOAL ZERO products and components is one (1) year from the date of original purchase by the original consumer.

A sales receipt from the original consumer purchase, or other reasonable documentary proof, is required in order to establish the start of the warranty period. If you completed the online GOAL ZERO Product Registration Form within thirty (30) days after purchasing your product, that registration can also establish the start date of the warranty period (but warranty coverage is not conditioned upon such registration).

### REMEDY

GOAL ZERO will, at its option, (1) repair the product at no charge, using new or refurbished replacement parts, or (2) exchange the product with a product that is new or which has been manufactured from new or serviceable used parts and is at least functionally equivalent to the original product. A replacement product/part assumes the remaining warranty of the original product or ninety (90) days from the date of replacement or repair, whichever provides longer coverage for you. When a product or part is exchanged, any replacement item becomes your property and the replaced item becomes GOAL ZERO's property.

### LIMITED TO ORIGINAL CONSUMER BUYER

This warranty is not transferable to any subsequent owner of a GOAL ZERO product.

## **EXCLUSIONS**

This Limited Warranty applies only to hardware products manufactured by or for GOAL ZERO that can be identified by the "GOAL ZERO" trademark, trade name, or logo affixed to them. The Limited Warranty does not apply to any non-GOAL ZERO products, even if packaged or sold with GOAL ZERO products. Non-GOAL ZERO manufacturers, or suppliers may provide their own warranties. For consumers outside of the contiguous US 48 states, a one (1) year warranty period is enforced for lithium power stations and Boulder solar panels. Claims on lithium power stations and Boulder panels from consumers outside of the contiguous 48 states after the one (1) year warranty period will be handled on a case by case basis, in compliance with local regulatory standards.

This warranty does not apply to: (i) to damage caused by accident, abuse, misuse, misapplication, or non-GOAL ZERO products; (ii) to damage caused by service performed by anyone other than GOAL ZERO; (iii) to a product or a part that has been modified without the written permission of GOAL ZERO; (iv) to a product where any GOAL ZERO serial number has been removed or defaced, or (v) to any product purchased through an online auction house. This limited warranty does not apply to any battery cell or product containing a battery cell unless the battery cell has been fully charged by you within seven (7) days after your purchase of the product and at least once every 6 months thereafter.

THIS WARRANTY AND REMEDIES SET FORTH ABOVE ARE EXCLUSIVE AND IN LIEU OF ALL OTHER WARRANTIES, REMEDIES AND CONDITIONS, WHETHER ORAL OR WRITTEN, EXPRESS OR IMPLIED. GOAL ZERO SPECIFICALLY DISCLAIMS ANY AND ALL IMPLIED WARRANTIES, INCLUDING, WITHOUT LIMITATION, WARRANTIES OF MERCHANTABILITY AND FITNESS FOR A PARTICULAR PURPOSE. IF GOAL ZERO CANNOT LAWFULLY DISCLAIM IMPLIED WARRANTIES UNDER THIS LIMITED WARRANTY, ALL SUCH WARRANTIES, INCLUDING WARRANTIES OF MERCHANTABILITY AND FITNESS FOR A PARTICULAR PURPOSE ARE LIMITED IN DURATION TO THE DURATION OF THIS WARRANTY. No GOAL ZERO reseller, agent, or employee is authorized to make any modification, extension, or addition to this warranty. IN NO EVENT WILL GOAL ZERO BE LIABLE FOR ANY DIRECT, SPECIAL, CONSEQUENTIAL OR INCIDENTAL DAMAGES ARISING FROM ANY USE OR MALFUNCTION OF ANY GOAL ZERO PRODUCT, OR FROM ANY BREACH OF WARRANTY, INCLUDING DAMAGE TO OTHER DEVICES. IN NO EVENT WILL GOAL ZERO'S LIABILITY FOR ANY CLAIM, WHETHER IN CONTRACT, WARRANTY, TORT (INCLUDING NEGLIGENCE AND STRICT LIABILITY), OR UNDER ANY OTHER THEORY OF LIABILITY, EXCEED THE AMOUNT PAID BY YOU FOR THE GOAL ZERO PRODUCT. Some states do not allow limitations on how long an implied warranty lasts, so the above limitation may not apply to you. This warranty gives you specific legal rights, and you may also have other rights which vary from state to state.

## **OBTAINING WARRANTY SERVICE**

To obtain warranty service, you must contact our customer service team via telephone at (888) 794-6250, or via email at [support@goalzero.com](mailto:support@goalzero.com). If our customer service team determines that this is a warranty matter, they will give you a Return Material Authorization ("RMA") number. You must properly package the product, clearly marking the RMA number on the package and including proof of your purchase date with the product. You must then send the product by mail or courier, with shipping costs paid by you, to GOAL ZERO at 675 West 14600 South, Bluffdale, Utah, USA 84065. We will process your return and send you repaired or replacement product to you at our expense for product being shipped to locations in North America. For product purchased or being shipped outside of North America, please contact the local distributor from whom you purchased the product, or email [support@goalzero.com](mailto:support@goalzero.com) to obtain further distributor information.





**2 YEAR WARRANTY**



## RECHARGEZ-MOI MAINTENANT



Avant l'utilisation ou le stockage, branchez votre Goal Zero Yeti au mur jusqu'à la charge complète. Maintenez votre Goal Zero Yeti branché lorsqu'il n'est pas en cours d'utilisation pour vous assurer qu'il est toujours prêt. Cette action n'abîmera PAS votre batterie. Pour plus de trucs et astuces pour garder votre batterie en bon état, rendez-vous dans la section PRINCIPES DE BASE SUR LES BATTERIES.



## CONSIGNES DE SÉCURITÉ IMPORTANTES



Veuillez lire toutes les consignes et mises en garde avec soin avant toute utilisation pour éviter d'éventuelles blessures corporelles ou des dommages sérieux à l'appareil ou tout autre appareil connecté

**Veuillez respecter toutes les puissances nominales des connecteurs d'Entrée/Sortie :** Pour éviter tout risque d'incendie ou d'électrocution, veuillez observer toutes les indications de puissance nominale sur l'unité et celles des produits que vous souhaitez utiliser ; Veuillez vérifier leurs manuels respectifs pour plus d'informations.

**À utiliser dans un espace bien ventilé :** Assurez une ventilation adéquate pendant son utilisation et n'obstruez jamais les ouvertures du ventilateur de cet appareil. Une ventilation inadéquate peut endommager l'appareil. Ne pas empiler quoi que ce soit sur l'appareil lors de son stockage ou de son utilisation.

**Les alimentations électriques chauffent lorsqu'elles sont utilisées :** veuillez garder votre bloc d'alimentation Yeti dans un endroit sec et bien ventilé lorsqu'il est utilisé. Ne pas garder l'alimentation électrique sous le couvercle pendant l'utilisation.

NE PAS le faire fonctionner dans des conditions humides : Afin d'éviter les courts-circuits ou les chocs électriques, ne permettez pas à l'appareil de devenir mouillé. Laissez l'appareil sécher complètement avant de l'utiliser à nouveau.

**Gardez l'appareil propre et sec :** Inspectez régulièrement l'appareil pour la saleté, la poussière ou l'humidité.

**Risque de choc ou d'incendie :** ce Yeti génère la même puissance électrique potentiellement mortelle qu'une prise murale domestique normale. Utilisez-le avec autant de précaution que lors de l'utilisation d'une prise secteur murale.

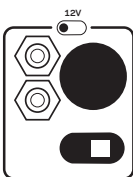
NE PAS insérer d'objets étrangers dans les sorties électriques ou les ouvertures de ventilation.

NE PAS trafiquer la batterie ou essayer de la remplacer. Pour plus d'informations à propos du remplacement de la batterie, contactez le centre de solution Goal Zero.

**Toute manipulation sur l'unité ou ses composants annulera toutes les garanties.**

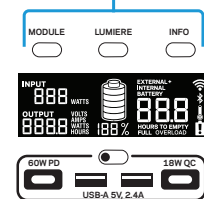
## Apprendre à Connaître Votre Équipement

Entrée de 8 mm pour charger à partir des Panneaux Solaires de Goal Zero ou de CA



Sorties de 12V

Boutons Interactifs et écran LCD



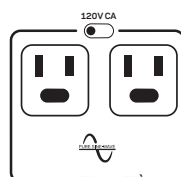
ENTRÉE/SORTIE

Entrée/sortie de distribution d'énergie pour ports USB-C 5-20V, jusqu'à 3A (60W)

USB 5V, jusqu'à 2.4A (12W)

USB-C 5-12V, 3A(18W)

sorties CA



120V CA

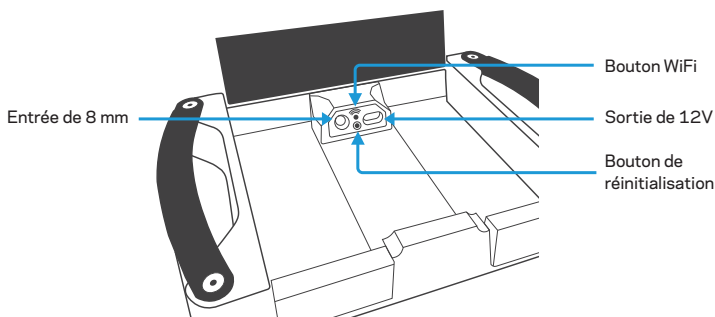
2000W, 3500W À PLEINE TENSION

Entrée pour les connecteurs Anderson Power Pole pour charger à partir des panneaux solaires de Goal Zero, ou de CA

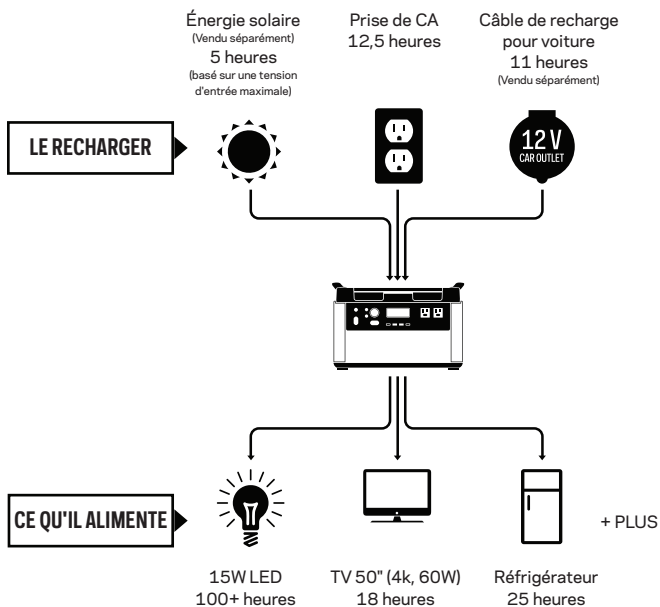
### Boutons sous le couvercle :

Appuyer sur le bouton WiFi activera le Wi-Fi du Yeti pour le connecter à un périphérique. Pour plus d'informations sur la connexion de votre appareil au Yeti, reportez-vous au guide inclus de l'application Yeti. De plus, le fait de maintenir le bouton WiFi appuyé bascule entre les modes d'appairage et de connexion.

Une pression prolongée maintiendra une réinitialisation logicielle (n'effectue pas une réinitialisation d'usine et ne réinitialise pas les wattheures). Le bouton des unités doit être maintenu pour réinitialiser le compteur de wattheures.



## Comment ça marche



## Charger votre Goal Zero Yeti

**CHARGEZ-MOI MAINTENANT** : avant de l'utiliser ou de le stocker, branchez votre Goal Zero Yeti sur une prise murale jusqu'à ce qu'il soit complètement chargé. Maintenez votre Goal Zero Yeti branché lorsqu'il n'est pas en cours d'utilisation pour vous assurer qu'il est toujours prêt. Cette action n'abîmera PAS votre batterie. Pour plus de trucs et astuces pour garder votre batterie en bon état, rendez-vous dans la section PRINCIPES DE BASE SUR LES BATTERIES.

Lorsque vous rechargez votre Goal Zero Yeti, vous remarquerez un segment de la batterie qui clignotera à l'écran. Cela indique l'état actuel de charge. Une fois que votre Goal Zero Yeti est complètement rechargé, tous les segments de la batterie s'allumeront et resteront allumés. Tant qu'il y aura plus de courant entrant dans la batterie Goal Zero Yeti que de courant tiré des ports de sortie, l'affichage indiquera également un temps estimé jusqu'à ce qu'il soit complètement rechargé. Il s'agit d'une durée estimée basée sur le nombre d'entrées et de sorties d'alimentation à ce moment-là ; Cette durée s'ajustera à un temps plus court ou plus long lorsque les taux de charge ou de décharge fluctuent.

### Charge à partir d'une prise murale

En utilisant le chargeur mural de 120W CA inclus, branchez votre Goal Zero Yeti dans n'importe quelle prise murale. Vous saurez quand le Goal Zero Yeti sera en charge lorsque le voyant bleu à côté du port d'entrée s'allumera et que les segments de la batterie dans l'**AFFICHAGE DE LA BATTERIE** clignoteront. Le Goal Zero Yeti est complètement chargé lorsque tous les segments de la batterie cessent de clignoter et restent éclairés en continu. Le Goal Zero Yeti devrait se recharger en 13 heures environ à partir d'une prise murale.

1. L'adaptateur mural CA est livré en deux parties. Connectez les deux pièces en

**REMARQUE** : pour recharger à partir d'une sortie de 12V dans votre véhicule, utilisez notre câble de recharge 12V pour voiture, SKU 98079.

branchant le câble dans le boîtier.

2. Le chargeur mural CA de 120W avec un connecteur cylindrique peut être branché dans l'avant du Yeti ou sous le couvercle.

3. Vous pouvez uniquement utiliser un chargeur mural à la fois. Si vous souhaitez recharger votre Yeti plus rapidement, contactez notre centre de solutions ou consultez nos options de charge rapide sur [goalzero.com](http://goalzero.com).

#### Charge à partir d'une source solaire

**REMARQUE IMPORTANTE : lors de la recharge grâce à l'énergie solaire de votre Goal Zero Yeti, gardez un œil sur les tensions des panneaux solaires et veillez à ne pas dépasser 50V. Les panneaux solaires individuels, ou panneaux solaires enchaînés en série au-dessus de 50V ne peuvent pas être utilisés avec votre Goal Zero Yeti et peuvent causer d'importants dommages à l'appareil. Pour obtenir de l'aide sur le chaînage des panneaux solaires, appelez notre Centre de Solutions pour nos Clients au 888-794-6250.**

Il y a trois entrées différentes que vous pouvez employer quand vous chargez votre Goal Zero Yeti par le biais de l'énergie solaire, dont deux sont situées dans la zone des entrées marquées « INPUT » sur le côté gauche de la face avant du Yeti et une troisième située à l'intérieur du compartiment de rangement sous le couvercle du haut. L'un des ports avant et le port à l'intérieur du compartiment de rangement sont des ports ronds de 8 mm conçus pour être utilisés avec les panneaux solaires ou le chargeur mural de Goal Zero. Chaque port d'entrée de 8mm peut supporter jusqu'à 120W. Le port pour les connecteurs Anderson Power Pole est conçu pour être utilisé avec des panneaux solaires de plus ou de plus puissant et peut supporter jusqu'à 600W de courant, qui est la capacité totale de charge qui peut être supportée à travers tous les ports d'entrée.

1. Placez votre panneau solaire où il obtiendra le plus de lumière directe du soleil que possible.



2. Insérez la fiche du panneau solaire à anneau bleu dans l'un des ports d'ENTRÉE, soit à l'avant du Goal Zero Yeti, soit dans le compartiment de rangement sous le couvercle. Vous saurez quand le Goal Zero Yeti sera en charge lorsque le voyant bleu à côté du port d'entrée s'allumera et que les segments de la batterie dans l'AFFICHAGE DE LA BATTERIE clignoteront. Le Goal Zero Yeti est complètement chargé lorsque tous les segments de la batterie cessent de clignoter et restent éclairés en continu.

3. Vous pouvez également connecter votre Goal Zero Yeti aux panneaux solaires en utilisant le port Anderson Power Pole et l'adaptateur approprié (si nécessaire), à côté du port de chargement de 8mm.

4. Vous pouvez connecter plusieurs Panneaux Solaires Goal Zero ensemble pour réduire les temps de recharge solaire. Votre Goal Zero Yeti est capable de supporter jusqu'à 120W d'entrée à travers les ports de 8mm et pas plus de 600W d'énergie solaire via le port APP.

**REMARQUE :** si l'énergie d'entrée vient des panneaux solaires pour les multiples ports, vous pouvez uniquement combiner les entrées si les panneaux utilisés ont la même tension. Les panneaux qui font sortir des tensions différentes ne pourront pas être combinés via différents ports. Si vous utilisez les panneaux avec des tensions différentes vers deux ports d'entrée ou plus, le Yeti sélectionnera la plus grande entrée solaire unique présente. De même, les entrées solaires et CA ne pourront pas être combinées. Si l'énergie d'entrée vient d'un panneau solaire et d'une prise murale, le Yeti sélectionnera l'entrée la plus élevée.

---

## Utilisation de votre Goal Zero Yeti

### Comment utiliser votre Goal Zero Yeti :

1. Appuyez sur l'interrupteur d'alimentation situé au-dessus de chaque port que vous allez utiliser. \*\*Si vous n'utilisez pas certains ports, veillez à les éteindre pour économiser l'énergie.
2. Vous saurez quand le port sera allumé lorsque le voyant blanc du bouton s'illuminera.
3. Branchez votre équipement pour qu'il fonctionne n'importe où que vous soyez.

4. Si possible, gardez votre Goal Zero Yeti branché sur une prise d'alimentation lorsqu'il n'est pas utilisé.

5. Vous pouvez recharger votre Goal Zero Yeti et utiliser votre équipement en même temps.

#### **Stratégie d'utilisation optimale :**

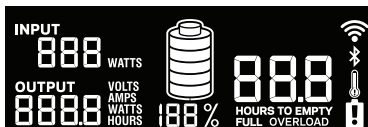
Lorsque vous rechargez vos appareils avec le Goal Zero Yeti, prenez note de L'ÉCRAN DE LA BATTERIE. Si vous branchez des appareils nécessitant une puissance élevée (un grand réfrigérateur), le niveau de charge de votre Goal Zero Yeti peut chuter très rapidement et vous ne pourrez pas obtenir exactement une capacité de 1500Wh. De plus, lorsque vous utilisez la sortie d'alimentation CA, la batterie Goal Zero Yeti convertira l'énergie du courant CC de sa batterie en courant alternatif nécessaire au bon fonctionnement de votre appareil. Bien que votre Goal Zero Yeti dispose d'un onduleur très efficace, il y a toujours un peu d'énergie perdue dans la conversion et vous n'obtiendrez pas la pleine capacité nominale de la batterie. Si vous rencontrez des durées d'utilisation bien plus courtes, vous devriez peut-être vérifier les exigences d'alimentation de l'appareil en question, voir la section DÉPANNAGE pour obtenir de l'aide.

#### **Utilisation par temps froid :**

Les températures froides (en dessous du point de congélation) peuvent influencer sur la capacité de la batterie du Goal Zero Yeti. Si vous êtes en pleine nature dans des conditions froides inférieures à zéro, nous vous recommandons de garder votre Goal Zero Yeti dans une glacière isotherme, connecté à une source d'alimentation (panneaux solaires), et en train de recharger votre équipement. La chaleur naturelle générée par le Goal Zero Yeti contenu dans une glacière isotherme maintiendra la capacité de sa batterie à son maximum. Pour des raisons de sécurité, le Yéti ne permettra pas la recharge en dessous du point de congélation. L'appareil affichera un avertissement sur l'écran quand vous vous rapprochez de cette température

## Écran LCD

L'écran LCD intégré indique quatre choses importantes :



1. INPUT (entrée) vous indique la quantité de courant (watts) entrant dans le Goal Zero Yeti pendant le chargement. Si vous le rechargez depuis une source d'énergie solaire, vous verrez le nombre de watts changer lorsque vous modifiez la position des panneaux solaires en fonction des rayons du soleil.
2. OUTPUT (sortie) vous indique la quantité de courant (watts) utilisée par vos appareils pendant qu'ils sont branchés sur le Goal Zero Yeti.
3. TIME TO EMPTY/FULL (temps restant/pleine) indique le temps avant que votre Goal Zero Yeti soit totalement rechargé ou vide, selon si le montant net de courant entrant dans le Goal Zero Yeti est positif ou négatif.
4. BATTERY LEVEL (niveau de la batterie) vous indique 5 segments, approximativement 20 % - 40 % - 60 % - 80 % - 100 % de sa capacité. Lorsque vous utilisez votre Goal Zero Yeti, les segments disparaissent de l'affichage, indiquant la charge restante. Lorsque vous chargez votre Goal Zero Yeti, vous remarquerez un segment de la batterie qui clignote. Cela indique l'état actuel de charge. Une fois que votre Goal Zero Yeti est complètement rechargé, tous les segments de la batterie s'allumeront et resteront allumés. Tant qu'il y aura plus de courant entrant dans la batterie Goal Zero Yeti que de courant tiré des ports de sortie, l'affichage indiquera également un temps estimé jusqu'à ce qu'il soit complètement rechargé. Il s'agit d'une durée estimée basée sur le nombre d'entrées et de sorties d'alimentation à ce moment-là ; Cette durée s'ajustera à un temps plus court ou plus long lorsque les taux de charge ou de décharge fluctuent. Notez que lorsque vous branchez une source d'alimentation, qu'il s'agisse d'un panneau solaire ou d'un chargeur mural, le Yeti peut prendre une minute pour détecter et ajuster ses circuits de charge avant de commencer à se charger depuis cette source.
5. Le symbole WiFi indique que le WiFi du Yeti est allumé. S'il clignote, le Yeti est prêt à se connecter à un appareil.

#### Boutons avants :

Appuyer sur le bouton LIGHT (lumière) allumera ou éteindra le rétro-éclairage de l'écran.

Appuyer sur le bouton LIGHT (lumière) allumera ou éteindra le rétro-éclairage de l'écran.

Maintenez les touches appareil + info appuyées pour effectuer la réinitialisation d'usine. cela supprime les informations et les configurations wifi. Maintenez la touche appareil pour réinitialiser le compteur horaire en watt.

En appuyant sur le bouton INFO, vous alternerez l'écran entre l'indication détaillée du pourcentage de charge de la batterie et le temps restant/plein.

### Stockage et temps d'arrêt pour la maintenance

En ayant votre Goal Zero Yeti connecté à une source d'alimentation, comme un panneau solaire ou prise murale, entre deux aventures ou pendant son stockage gardera sa batterie en bon état et rechargée. Cela prolongera la durée de vie de la batterie et garantira que votre Goal Zero Yeti sera toujours chargé et prêt à fonctionner à n'importe quelle heure du jour ou de la nuit.

**Si vous ne pouvez pas avoir votre Goal Zero Yeti branché à une source d'alimentation pendant son stockage, chargez entièrement votre Goal Zero Yeti tous les 3 mois et rangez-le dans un endroit frais et sec. Si le Yeti n'a pas été utilisé pendant plusieurs mois, il peut nécessiter plusieurs cycles de charge pour restaurer des résultats précis sur le pourcentage de batterie et le temps restant à l'écran. Si vous ne suivez pas ces étapes pour maintenir votre Goal Zero Yeti en bon état, cela pourra entraîner des dommages à la batterie qui annuleront la garantie du**

## Spécifications Techniques

### Temps de charge :

Chargeur mural (120W)	13 heures
Chargeur pour véhicule (120W)	13 heures
Goal Zero Boulder 50	48-60 heures
Goal Zero Boulder 100	24-30 heures
Goal Zero Boulder 200 briefcase	12-15 heures

### Batterie :

Type de batterie	Li-ion NMC
Capacité du bloc	1516Wh (10,8V, 140,4Ah)
Capacité équivalente de la batterie	421Ah @ 3,6V
Cycles de vie	500 cycles à une capacité de 80 % (taux de décharge : 1C, charge/décharge totale, température : 25C)
Durée de vie	À recharger tous les 3 à 6 mois
Système de gestion	Contrôleur de charge MPPT

### Ports :

Port USB-A (sortie)	5V, jusqu'à 2,4A (12W max), régulé
Port USB-C (sortie)	5-12V, jusqu'à 3,0A (18W max), régulé
Port USB-PD (sortie)	5-20V, jusqu'à 3,0A (60W max), régulé
Port de 6mm (sortie, 6mm)	12 V, jusqu'à 10 A (120 W max), régulé
12V Port pour voiture (sortie)	12 V, jusqu'à 13 A (160 W max), régulé
12V port pour Power Pole (sortie)	12V, jusqu'à 30A (360W max), régulé
Convertisseur 120V CA (sortie, onde sinusoïdale)	120VCA 60Hz, 16,5A (2000W, 3500W À PLEINE TENSION)
Convertisseur 230V CA (sortie, onde sinusoïdale) PRISES CA UNIVERSELLE OU AUSTRALIENNE (TYPE 1)	230VCA 50Hz, 8,5A (2000W, 3500W à pleine tension)
Port de charge (entrée, 8mm)	14-50V, jusqu'à 10A (120W max)
Port de charge au pole d'alimentation (entrée)	14-50V, jusqu'à 50A (600W max)
Port du module d'expansion	Port couvert sous le couvercle A utiliser uniquement avec les modules d'expansion Goal Zero.

## Spécifications Techniques

### WiFi :

Certification RF	FCC/CE/IC/TELEC/KCC/SRRC/NCC
Protocoles	802.11 b/g/n (802.11n jusqu'à 150 Mbps)
Gamme de fréquences	2,4-2,5 GHz

### Bluetooth :

Protocoles	Niveau faible du Bluetooth
------------	----------------------------

### Général :

Poids	45,64 livres (20,7 kg)
Dimensions	15,25 x 10,23 x 10,37 po (38,74 x 25,98 x 34,54 cm)
Température de fonctionnement	32-104 F (0-40 C)
Certifications	     
Garantie	24 mois

## Foire aux questions

### **Quel type de batterie se trouve dans mon Goal Zero Yeti ?**

Votre Goal Zero Yeti utilise une batterie au lithium-ion personnalisée. Voici quelques données factuelles fondamentales sur les batteries au lithium-ion :

1. Les batteries au lithium-ion peuvent stocker et libérer beaucoup d'énergie en peu de temps. Les batteries au lithium-ion peuvent stocker et libérer beaucoup d'énergie en peu de temps.
2. Il est primordial que votre batterie ne soit jamais mouillée car l'humidité et l'eau peuvent entrer dans les cellules de la batterie derrière les circuits de protection et contourner cette protection.

### **Comment puis-je savoir si mon Goal Zero Yeti est bien chargé ?**

Pour vérifier le niveau de charge de votre Goal Zero Yeti, reportez-vous à l'écran de la batterie. Une fois allumé, vous verrez une description de la batterie avec 5 segments, indiquant le niveau de charge actuel. Il est acceptable d'utiliser votre Goal Zero Yeti même s'il n'est pas complètement chargé.

### **Comment puis-je savoir si mon appareil fonctionnera avec le Goal Zero Yeti ?**

Tout d'abord, vous devrez déterminer la quantité d'énergie nécessaire au fonctionnement de votre appareil. Cela peut nécessiter des recherches de votre côté, une bonne recherche sur Internet ou l'examen du guide d'utilisation de votre appareil devrait suffire. Puis, vous devrez vérifier la capacité de chaque port de sortie individuel. Par exemple, le port CA du Goal Zero Yeti est alimenté par un convertisseur qui permet de faire passer 1500W de courant. Cela signifie que si votre appareil tire plus de 2000W pendant une période prolongée, le convertisseur du Goal Zero Yeti s'éteindra. Un autre nombre à surveiller est la tension de votre appareil par rapport à celle du port pour éviter une surtension. L'onduleur du Goal Zero Yeti dispose d'un système avancé de gestion des surtensions qui maximisera sa compatibilité avec divers dispositifs, mais il y aura

toujours des appareils dont la tension augmentera à un rythme plus élevé, et pendant une période plus longue, que le Goal Zero Yeti ne pourra plus gérer, et dans ce cas, le port s'éteindra.

Finalement si l'appareil est reconnu comme étant compatible, vous devrez déterminer combien de temps vous pourrez alimenter cet appareil à partir du Goal Zero Yeti. Voici une leçon rapide et grossière sur l'énergie.

Toutes les banques d'alimentation GOAL ZERO et les centrales électriques portables ont un numéro à leur nom, par ex. Chargeur Guide10 Plus, Goal Zero Yeti 1500X. Ces chiffres se réfèrent aux Watts par Heure (Wh), ou à la quantité d'énergie qui peut être stockée dans chaque chargeur, et comment vous saurez si votre équipement est compatible avec chaque chargeur. Par exemple, une station de recharge de 200 Wh devrait faire fonctionner une lampe de 100 W pendant 2 heures ( $200/100 = 2$ ). Si votre équipement tombait dans la capacité de 1500Wh du Goal Zero Yeti, vous voudrez vérifier les restrictions sur chacun des ports de sortie.

Un autre facteur dans ces calculs électriques est la quantité de puissance en cours de conversion allant de la batterie du Goal Zero Yeti vers l'appareil que vous utilisez/chargez. Dans certaines situations, comme lors de l'utilisation d'un périphérique 12V, tel que le LAL 350, directement alimenté depuis le port 12V, il n'y aura pas de conversion et donc aucune perte supplémentaire. En utilisant les ports USB pour charger un téléphone, vous ajoutez une couche de conversion (la batterie de 12V du Goal Zero Yeti est convertie en sortie USB 5V), ce qui introduit environ 10% de perte. Lors de l'utilisation de l'onduleur, il existe deux couches de conversion (de 12 V à haute tension, et de CC à CA). La façon la moins efficace d'utiliser la batterie du Goal Zero Yeti est d'utiliser un adaptateur CA-CC en sortie des ports CA, comme lorsque vous utilisez un bloc chargeur pour recharger votre téléphone, car cela ajoute une couche de conversion en plus des deux déjà en place.

Donc, lorsque vous décidez quel appareil alimenter depuis votre nouveau chargeur GOAL ZERO, faites quelques recherches sur la consommation en watt de votre appareil. Pour plus de conseils et des outils d'apprentissage, veuillez visiter [www.GoalZero.com/learn.html](http://www.GoalZero.com/learn.html)



## Dépannage

Si vos appareils ne se rechargent pas depuis votre Goal Zero Yeti, procédez comme suit :

1. Assurez-vous que le port de sortie soit allumé. Le voyant lumineux blanc du bouton d'alimentation doit être allumé.
  - a. Si l'un des voyants est rouge, cela indique un court-circuit. Appuyez de nouveau sur le bouton pour le réinitialiser. Le voyant devient blanc lorsqu'il est bien réinitialisé.
2. Vérifiez l'écran d'affichage de la batterie. S'il reste 20 % ou moins d'énergie, pensez à recharger votre Goal Zero Yeti.
3. Vérifiez l'écran LCD pour les icônes d'avertissement :  
**SURCHARGE (OVERLOAD)** : la consommation d'énergie dépasse l'allocation maximale du port. Cela est indiqué par le voyant rouge sur le bouton du port.



Alerte sur la température.  
Laisser refroidir le module.



La batterie nécessite de l'attention.  
Contactez le service clientèle.  
1-888-794-6250

4. Vérifiez que votre appareil soit compatible avec le Goal Zero Yeti :
  - a. Tous les ports de sortie du Goal Zero Yeti ont leur propre capacité de puissance maximale. Vérifiez les caractéristiques techniques du Goal Zero Yeti pour vous assurer que l'appareil est bien compatible.
5. Si vous rencontrez encore des problèmes avec votre Goal Zero Yeti, veuillez appeler notre Centre de Solutions Clients au 1-888-794-6250 ou contactez-nous par courriel à [support@goalzero.com](mailto:support@goalzero.com)

Si vous éprouvez des difficultés avec votre connexion WiFi :

1. Appuyez et maintenez le bouton WiFi enfoncé pendant 3 secondes pour forcer le Yeti en mode de connexion. Le symbole WiFi sur l'écran commencera à clignoter.
2. Reconnectez votre appareil à votre Yeti en suivant les instructions de l'appli Goal Zero Yeti.

## Éducation

**PRINCIPES DE BASE SUR LES BATTERIES :** GOAL ZERO utilise la toute dernière et meilleure technologie des batteries pour vous accompagner dans toutes vos plus grandes aventures. Du lithium-ion polyvalent et léger, à l'acide de plomb robuste et puissant, nous avons compilé quelques conseils utiles pour garder vos batteries GOAL ZERO au top de leur capacité.

### **i. Les batteries ont besoin d'exercice.**

La meilleure chose pour toute batterie est de l'utiliser. N'oubliez pas la batterie au fond d'un tiroir pendant une période prolongée sans la recharger régulièrement. Si vous décidez de stocker votre Goal Zero Yeti sans chargeur permanent, assurez-vous qu'il soit complètement rechargé avant de le stocker.

### **ii. Le mythe de la "Mémoire de la Batterie".**

À cause des vieilles batteries au Nickel-Cadmium (NiCd), un mythe persiste autour duquel vous devriez complètement vider vos batteries avant de les brancher pour une recharge, appelé «cycle profond». Bien que vrai pour ces batteries au NiCd, les batteries typiques que vous trouverez dans la plupart de vos appareils d'aujourd'hui, y compris les batteries avancées au lithium et à l'acide de plomb utilisées dans vos chargeurs GOAL ZERO, ne nécessitent pas de tels drainages. En fait, vous devriez éviter de vider complètement vos batteries - cela leur fait plus de mal que de bien dans la plupart des cas.

### **iii. "L'effet du Stade".**

L'effet du stade se produit lors de la recharge de vos batteries. Vous remarquerez que votre batterie se remplit rapidement au début, puis le remplissage ralentit sensiblement lorsque vous essayez de recharger les derniers pourcentages. Pensez à la rapidité à laquelle un stade se remplit initialement lorsque les portes s'ouvrent - il y a des centaines de sièges libres et il est donc facile de trouver celui que vous voulez. Éventuellement, il ne reste plus

que quelques sièges de libres ici et là et les gens doivent aller de tous les cotés pour trouver les sièges qu'ils veulent et donc remplir ces derniers sièges libres prend beaucoup plus de temps. La même théorie s'applique à la recharge des batteries. Il est facile pour l'énergie de remplir l'espace vide au début, et au fur et à mesure que le temps passe et qu'il y a de moins en moins d'espace disponible, il lui faut donc plus de temps pour remplir les vides restants.

#### **iv. Lisez le manuel.**

Oui, ça peut prendre du temps pour le lire en entier, mais le manuel est le meilleur endroit pour trouver ce qu'il faut faire et ne pas faire avec la batterie de votre appareil. Une bonne lecture de ce manuel vous assurera de suivre les meilleures mesures pour garder vos batteries en bon état et prêtes à l'emploi.

**PRINCIPES DE BASE SUR L'ÉNERGIE SOLAIRE :** GOAL ZERO facilite la recharge de votre équipement à partir d'énergie solaire - nous n'avons pas inventé l'énergie solaire, nous l'avons simplement perfectionnée. Certaines choses se rappeler lors de la recharge de votre équipement par le biais de l'énergie solaire :

#### **i. Les panneaux solaires ne stockent pas les rayons du soleil, ils les recueillent.**

Nous vous apprenons à RECUEILLIR - STOCKER - UTILISER, ce qui s'avère être la meilleure façon d'utiliser l'énergie solaire pour recharger votre équipement. RECUEILLIR les rayons du soleil avec un panneau solaire. STOCKER leur énergie dans un chargeur. UTILISER le chargeur pour alimenter votre équipement, de jour comme de nuit. Si vous êtes vraiment un irréductible, vous pouvez brancher votre équipement directement dans la boîte de distribution située à l'arrière de nos panneaux solaires NOMAD pour recharger directement à partir du soleil.

#### **ii. Tous les temps de recharge solaire n'ont pas été créés égaux.**

La plupart des fabricants de panneaux solaires calculent leurs temps de recharge avec l'équation suivante : Watts par heure de l'appareil / Wattage du panneau solaire = Temps de la recharge par l'énergie solaire. Ainsi, théoriquement, un panneau solaire de 13 watts rechargerait un chargeur de 50 watts-heure en 3,84 heures ( $50/13 = 3,84$ ) - et c'est le nombre que vous pourriez donc trouver dans le matériel de marketing pour un panneau solaire. Cependant, afin de standardiser les résultats pour tous les fabricants, ces tests sont effectués en laboratoire. La réalité est que, lors d'une belle journée ensoleillée, vous

recevrez environ 50-75% de l'énergie nominale de votre panneau solaire, et c'est ainsi que les ingénieurs de GOAL ZERO calculent les temps de recharge par énergie solaire que vous voyez sur nos documents et emballages.

**iii. Les panneaux solaires fonctionnent, même lorsque le temps est couvert.**

Les panneaux solaires utilisent les RI, UV, et rayons visibles du soleil qui peuvent traverser les nuages. Bien que l'efficacité du panneau solaire diminuera dans des conditions nuageuses, vous pourrez toujours recueillir de cette précieuse énergie du soleil.

**iv. Gardez-les à l'écart de l'ombre et des fenêtres.**

Bien que vous devriez rechercher un peu d'ombre lors des journées les plus ensoleillées, vos panneaux solaires recueilleront le plus d'énergie lorsqu'ils sont entièrement exposés aux rayons du soleil. Les fenêtres ont également cette habitude de diminuer leur efficacité. Placez donc ces panneaux à l'extérieur et bien positionnés à la lumière directe du soleil.

**v. Un bon alignement marche à merveille.**

Garder votre panneau solaire incliné vers le soleil peut considérablement augmenter l'efficacité de la réception d'énergie solaire. Installez votre appareil, et laissez Dame Nature faire le reste.

## Garantie & Contact

### **GARANTIE LIMITÉE**

Cette GARANTIE LIMITÉE de GOAL ZERO LLC ("GOAL ZERO") garantit à l'acheteur d'origine que ce produit GOAL ZERO sera exempt de défauts de fabrication et de matériel dans des conditions normales d'utilisation pendant la période de garantie applicable identifiée au paragraphe 2 ci-dessous, sous réserve aux exclusions énoncées au paragraphe 5 ci-dessous. Les dispositions qui précèdent énoncent la responsabilité entière de GOAL ZERO et votre recours exclusif pour toute violation de la garantie, explicite ou implicite. GOAL ZERO n'assume pas, ni n'autorise aucune personne à assumer en son nom, toute autre responsabilité dans le cadre de la vente des produits GOAL ZERO.

### **PÉRIODE DE GARANTIE**

La période de garantie pour les batteries au plomb GOAL ZERO (qu'elles soient achetées séparément ou avec un autre produit) est de cent quatre-vingt (180) jours.

La période de garantie pour les produits Yeti à batterie au lithium GOAL ZERO et les panneaux solaires Boulder est de deux (2) ans.

La période de garantie pour tous les autres produits et composants GOAL ZERO est d'un (1) an à compter de la date d'achat d'origine par le consommateur d'origine

Un reçu d'achat de l'achat original par le consommateur ou toute autre preuve documentaire raisonnable est requis pour établir le début de la période de garantie. Si vous avez rempli le Formulaire d'Enregistrement du Produit GOAL ZERO en ligne dans les trente (30) jours suivant l'achat de votre produit, cet enregistrement peut également établir la date de commencement de la période de garantie (mais la garantie ne dépend pas d'un tel enregistrement).

### **RECOURS**

GOAL ZERO, à sa discrétion, (1) réparera le produit sans frais, en utilisant des pièces de rechange neuves ou reconditionnées, ou (2) échangera le produit avec un produit qui est nouveau ou qui a été fabriqué à partir de pièces d'occasion neuves ou utilisables et est au moins fonctionnellement équivalent au produit d'origine. Un produit ou une pièce de remplacement suppose la garantie restante du produit d'origine ou quatre-vingt-dix (90) jours à compter de la date de remplacement ou de réparation, selon la période la plus longue pour vous. Lorsqu'un produit ou une pièce est échangé, tout article de remplacement devient votre propriété et l'article remplacé devient la propriété de GOAL ZERO.

### **LIMITÉE À L'ACHETEUR CONSOMMATEUR INITIAL**

Cette garantie n'est pas transférable à tout propriétaire ultérieur d'un produit GOAL ZERO.

### **EXCLUSIONS**

Cette garantie limitée s'applique uniquement aux produits matériels fabriqués par ou pour GOAL ZERO qui peuvent être identifiés par la marque commerciale, le nom commercial ou le logo "GOAL ZERO" qui y est apposé. La garantie limitée ne s'applique pas aux produits non GOAL ZERO, même s'ils sont emballés ou vendus avec des produits GOAL ZERO. Les fabricants ou fournisseurs autres que GOAL ZERO peuvent fournir leurs propres garanties. Pour les consommateurs en dehors des 48 États contigus des États-Unis, une période de garantie d'un (1) an est appliquée pour les centrales électriques au lithium et les panneaux solaires Boulder. Les réclamations sur les centrales électriques au lithium et les panneaux Boulder de consommateurs en dehors des 48 États contigus après la période de garantie d'un (1) an

seront traitées au cas par cas, conformément aux normes réglementaires locales.

Cette garantie ne s'applique pas : (i) aux dommages causés par un accident, un usage abusif, une mauvaise utilisation, une mauvaise application ou des produits autres que GOAL ZERO ; (ii) aux dommages causés par un service effectué par une personne autre que GOAL ZERO ; (iii) à un produit ou une pièce qui a été modifié sans l'autorisation écrite de GOAL ZERO ; (iv) à un produit dont tout numéro de série GOAL ZERO a été supprimé ou effacé, ou (v) à tout produit acheté via une maison de vente aux enchères en ligne. Cette garantie limitée ne s'applique à aucune cellule de batterie ou produit contenant une cellule de batterie à moins que la cellule de batterie n'ait été entièrement chargée par vous dans les sept (7) jours suivant votre achat du produit et au moins une fois tous les 6 mois par la suite.

LA PRÉSENTE GARANTIE ET LES RECOURS CI-DESSUS SONT EXCLUSIFS ET AU LIEU DE TOUTES LES AUTRES GARANTIES, RECOURS ET CONDITIONS, ORALES OU ÉCRITES, EXPRESSES OU IMPLICITES. GOAL ZERO DÉCLINE SPÉCIFIQUEMENT TOUTE GARANTIE IMPLICITE, Y COMPRIS, SANS S'Y LIMITER, LES GARANTIES DE QUALITÉ MARCHANDE ET D'ADÉQUATION À UN USAGE PARTICULIER. SI GOAL ZERO NE PEUT PAS DÉLÉGUER LÉGALEMENT LES GARANTIES IMPLICITES DANS LE CADRE DE CETTE GARANTIE LIMITÉE, TOUTES CES GARANTIES, Y COMPRIS LES GARANTIES DE QUALITÉ MARCHANDE ET D'ADÉQUATION À UN USAGE PARTICULIER SONT LIMITÉES DANS LE TEMPS À LA DURÉE DE CETTE GARANTIE. Aucun revendeur, agent ou employé de GOAL ZERO n'est autorisé à apporter des modifications, extensions ou ajouts à cette garantie. EN AUCUN CAS, GOAL ZERO NE SERA TENU RESPONSABLE DE TOUT DOMMAGE INDIRECT OU ACCESSOIRE DÉCOULANT DE TOUTE UTILISATION OU DÉFAUT DE TOUT PRODUIT GOAL ZERO OU DE TOUTE VIOLATION DE GARANTIE, Y COMPRIS LES DOMMAGES À D'AUTRES DISPOSITIFS. EN AUCUN CAS LA RESPONSABILITÉ DE GOAL ZERO POUR TOUTE RÉCLAMATION, QUE CE SOIT PAR CONTRAT, GARANTIE, DÉLIT (Y COMPRIS LA NÉGLIGENCE ET LA RESPONSABILITÉ STRICTE) OU SOUS UNE AUTRE THÉORIE DE RESPONSABILITÉ, N'EXCÈDERA LE MONTANT PAYÉ PAR VOUS POUR LE PRODUIT DE GOAL ZERO. Certains États n'autorisent pas les limitations sur la durée d'une garantie implicite, de sorte que la limitation ci-dessus pourrait ne pas s'appliquer à votre situation. Cette garantie vous donne des droits légaux spécifiques, et vous pouvez également avoir d'autres droits qui varient d'un État à l'autre.

#### **OBTENIR LE SERVICE DE GARANTIE**

Pour obtenir le service de garantie, vous devez contacter notre équipe de service à la clientèle par téléphone au +1 (888) 794-6250, ou par courriel à [support@goalzero.com](mailto:support@goalzero.com). Si notre équipe de service à la clientèle détermine qu'une assistance supplémentaire est requise, elle vous donnera un numéro d'autorisation de retour de matériel ("RMA"). Vous devez correctement emballer le produit, en marquant clairement le numéro RMA sur l'emballage et en incluant une preuve de votre date d'achat du produit. Vous devez ensuite envoyer le produit par courrier ou par service de messagerie, frais d'expédition payés par vous, à GOAL ZERO au 675 West 14600 South, Bluffdale, Utah, USA 84065. Nous traiterons votre retour et vous renverrons le produit réparé ou un produit de remplacement à nos frais pour toute réexpédition à des adresses situées en Amérique du Nord. Pour les produits achetés ou expédiés en dehors de l'Amérique du Nord, veuillez contacter le distributeur local auprès duquel vous avez acheté le produit ou envoyer un e-mail à [support@goalzero.com](mailto:support@goalzero.com) pour obtenir des informations supplémentaires sur le distributeur.



## JETZT AUFLADEN



Vor der Verwendung oder Lagerung lade deinen Goal Zero Yeti mit der Steckdose an der Wand komplett auf. Lasse den Goal Zero Yeti eingesteckt, wenn du ihn nicht verwendest, um sicherzustellen, dass er immer betriebsbereit ist. Dies ist NICHT schädlich für die Batterie. Weitere Tipps und Tricks für die Pflege der Batterie, siehe Kapitel BATTERIEN 101.



## WICHTIGE SICHERHEITSHINWEISE



Lies vor der Verwendung alle Anweisungen und Hinweise aufmerksam, um Verletzungen oder Beschädigungen am Gerät und an angeschlossenen Produkten zu vermeiden.

**Beachte die Werte aller Eingangs- und Ausgangsstecker:** Um einen Brand oder elektrischen Schlag zu vermeiden, beachte alle Werte, die auf dem Gerät und auf den Produkten, die du verwenden möchtest, verzeichnet sind. In den Bedienungsanleitungen findest du weitere Informationen.

**Nutzung in einem belüfteten Bereich:** Sorge bei der Verwendung für angemessene Belüftung und verdecke die Lüftungsöffnung am Gerät nicht. Unzureichende Belüftung kann zur Beschädigung des Geräts führen. Lege nichts auf das Gerät, während es gelagert oder verwendet wird.

**Das Netzteil wird bei der Verwendung heiß:** Bewahre das Yeti Netzteil während der Verwendung an einem trockenen, gut belüfteten Ort auf. Bewahre das Netzteil während der Verwendung nicht unter dem Deckel auf.

**Bediene das Gerät NICHT bei Nässe:** Sorge dafür, dass das Gerät nicht nass wird, um einen Kurzschluss oder elektrischen Schlag zu vermeiden. Lasse es vor der Verwendung komplett trocknen.

**Halte das Gerät sauber und trocken:** Untersuche das Gerät regelmäßig auf Schmutz, Staub oder Feuchtigkeit.

**Stromschlag- oder Brandgefahr:** Dieser Yeti erzeugt dieselbe potenziell tödliche Leistung wie eine gewöhnliche Haushalts-Steckdose. Bitte verwende ihn genauso vorsichtig wie eine normale Steckdose.

Führe **KEINE** fremden Objekte in Ausgänge oder Lüftungslöcher ein.

Manipuliere die Batterie **NICHT** und versuche nicht, sie zu wechseln. Informationen über eine Austauschbatterie erhältst du im Goal Zero Support Center.

**Jede Manipulation an dem Gerät oder an seinen Komponenten lässt die Garantie verfallen.**



## Lerne dein Gerät kennen

8 mm Eingang für Ladung durch  
Goal Zero Solarmodule oder AC

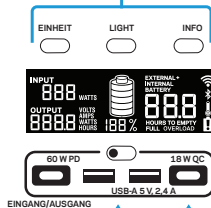


Anderson Power Pole  
Eingang für Ladung von  
Goal Zero Solarmodulen  
oder AC

12 V-Ausgänge



Interaktive  
Schaltflächen und  
LCD-Bildschirm



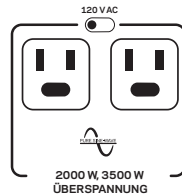
EINGANG/AUSGANG

USB-C Eingang/Ausgang  
Leistungsversorgung  
5 - 20 V, bis zu 3 A (60 W)

USB-C 5-12 V, 3 A (18 W)

5 V, bis zu 2,4 A (12 W)

AC-Ausgänge

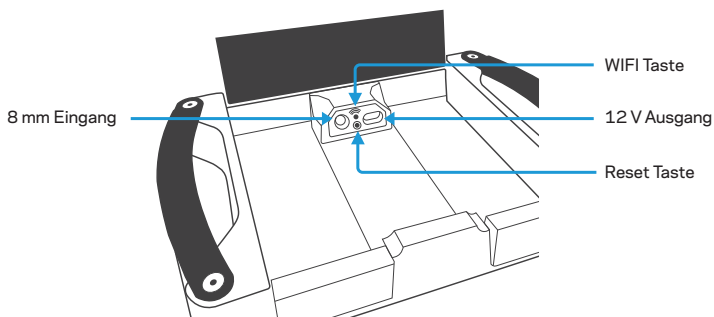


### Tasten unter dem Deckel:

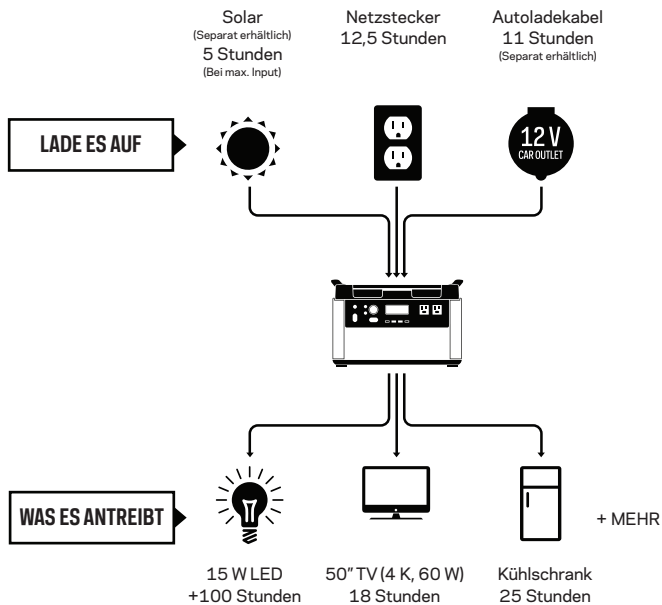
Durch Drücken der WIFI-Taste aktivierst du das WIFI des Yeti für die Verbindung mit einem Gerät. Weitere Informationen über die Verbindung Ihres Geräts mit dem Yeti findest du in der beigelegten Yeti-App-Bedienungsanleitung. Wenn du die WIFI-Taste gedrückt hältst, wechselst du zwischen Pairing- und Verbindungsmodus.

Wenn du die Taste gedrückt hältst, wird ein Soft Reset durchgeführt (es erfolgt kein Reset auf Werkseinstellungen und auch die Wattstunden werden nicht zurückgesetzt).

Du musst die Taste Einheiten gedrückt halten, um den Wattstundenzähler zurückzusetzen.



## So funktioniert's



## Aufladung deines Goal Zero Yeti

**JETZT AUFLADEN:** Stecke den Goal Zero Yeti in eine Steckdose in der Wand ein und lade ihn voll auf, bevor du ihn lagerst oder verwendest. Lasse den Goal Zero Yeti eingesteckt, wenn du ihn nicht verwendest, um sicherzustellen, dass er immer betriebsbereit ist. Dies ist NICHT schädlich für die Batterie. Weitere Tipps und Tricks für die Pflege der Batterie, siehe Kapitel BATTERIEN 101.

Beim Aufladen deines Goal Zero Yeti wirst du ein blinkendes Batteriesegment in der Anzeige sehen. Dies zeigt den aktuellen Ladestand an. Sobald dein Goal Zero Yeti vollständig aufgeladen ist, leuchten alle Batteriesegmente auf und bleiben konstant. Solange mehr Strom in den Goal Zero Yeti fließt, als aus den Ausgangsports gezogen wird, zeigt das Display auch die Zeit bis zur vollständigen Ladung an. Dies ist eine geschätzte Zeit, basierend auf der Stromaufnahme und der Ausgabeanzahl zu diesem Zeitpunkt; sie verkürzt oder verlängert sich, wenn sich die durchschnittliche Auf- oder Entladegeschwindigkeit ändert.

### Aufladung an der Steckdose

Stecke deinen Goal Zero Yeti mit dem mitgelieferten 120 W-AC-Ladegerät in eine beliebige Netzsteckdose. Sie sehen, dass der Goal Zero Yeti auflädt, wenn das blaue LED-Licht neben dem EINGANGS-Anschluss angeht und die Batterie-Segmente im BATTERIE DISPLAY blinken. Der Goal Zero Yeti ist vollständig geladen, wenn alle Batteriesegmente aufhören zu blinken und konstant bleiben. Der Goal Zero Yeti sollte sich in etwa 13 Stunden über die Netzsteckdose aufladen.

1. Der AC-Wandadapter wird in zwei Teilen geliefert. Verbinde die beiden Teile durch Einstecken des Kabels in die Box.
2. Das 120 W-AC-Ladegerät mit dem 8 mm DC-Hohlstecker kann vorne in den Yeti

**HINWEIS:** Um an einem 12 V-Ausgang im Auto aufzuladen, verwende unser 12 V-Autoladekabel SKU 98079.

oder unter dem Deckel eingesteckt werden.

3. Du kannst nur ein Ladegerät gleichzeitig verwenden. Wenn du deinen Yeti schneller aufladen möchtest, rufe unser Support Center an oder sieh auf [goalzero.com](http://goalzero.com) unter Schnell-Ladeoptionen nach.

#### Mit Sonnenlicht aufladen

**WICHTIGER HINWEIS: Wenn du dein Goal Zero Yeti mit Sonnenlicht auflädst, beachte die Spannungen der Solarmodule und überschreite nicht 50 V. Einzelne oder seriell verkettete Solar-Panels über 50 V können für den Goal Zero Yeti nicht verwendet werden und dem Gerät ernsthaft schaden. Wenn du Hilfe bei der Verkettung von Solarmodulen benötigst, ruf unser Kundenservice-Center unter 888-794-6250 an.**

Du kannst drei verschiedene Eingänge verwenden, wenn du den Goal Zero Yeti mit Sonnenlicht aufladen möchtest: zwei befinden sich im Bereich „EINGANG“ auf der Blende des Goal Zero Yeti und ein dritter im Ladefach unter dem oberen Deckel. Einer der vorderen Anschlüsse und der Anschluss im Ladefach sind rund 8 mm groß und können für die Goal Zero Solarmodule oder das Ladegerät verwendet werden. Jeder 8 mm-Eingang-Anschluss kann bis zu 120 W aufnehmen. Der Anderson Powerpole-Anschluss ist für die Verwendung für größere oder Hochleistungs-Solarmodule ausgelegt und verträgt bis zu 600 W, was der Gesamtstromkapazität aller Eingang-Anschlüsse entspricht.

1. Platziere dein Solarmodul dort, wo es möglichst viel direktes Sonnenlicht aufnimmt.
2. Stecke den Solarmodul-Stecker mit dem blauen Ring in einen der INPUT-Anschlüsse, entweder auf der Vorderseite des Goal Zero Yeti oder im Ladefach unter dem oberen Deckel. Du siehst, dass der Goal Zero Yeti auflädt, wenn das blaue LED-Licht neben dem INPUT-Anschluss aufleuchtet und die Batterie-Segmente auf dem LCD-

BATTERIE-DISPLAY blinken. Der Goal Zero Yeti ist vollständig geladen, wenn alle Batteriesegmente aufhören zu blinken und konstant bleiben.

3. Du kannst den Goal Zero Yeti auch mithilfe des Anderson Powerpole-Anschlusses und (falls nötig) des geeigneten Adapters neben dem 8 mm-Aufladeport mit den Solarmodulen verbinden.

4. Sie können mehrere Goal Zero Solarmodule miteinander verbinden, um die Solar-Aufladezeit zu reduzieren. Der Goal Zero Yeti verträgt 120 W pro Eingang durch die 8 mm-Anschlüsse, aber nicht mehr als 600 W Solarstrom über den APP-Anschluss.

**ACHTUNG:** Wenn du Strom aus Solar-Panels in mehrere Anschlüsse leitest, kannst du den Eingang nur kombinieren, wenn die verwendeten Panels dieselbe Spannung haben. Panels mit unterschiedlicher Spannung können nicht über verschiedene Anschlüsse kombiniert werden. Wenn du Panels mit unterschiedlicher Spannung für zwei oder mehr Eingangsanschlüsse verwendest, wählt der Yeti den höchsten verfügbaren Solareingang aus. Außerdem können Solar- und AC-Eingänge nicht kombiniert werden. Wenn du Strom sowohl von einem Solar-Panel wie auch von einer Steckdose zuführt, wählt der Yeti den höheren der beiden Eingänge aus.

---

## Verwendung des Goal Zero Yeti

### Verwendung deines Goal Zero Yeti:

1. Betätige die Power-Taste, die sich über jedem Anschluss befindet, den du benutzen wirst. \*\*Wenn du bestimmte Anschlüsse nicht verwendest, schalte sie unbedingt aus, um Strom zu sparen.
2. Du wirst wissen, dass der Anschluss eingeschaltet ist, wenn das weiße LED-Licht auf der Taste leuchtet.
3. Stecke deine Geräte an, um Strom zu erhalten, wo auch immer das Leben dich hinführt.
4. Wenn möglich, solltest du deinen Goal Zero Yeti an eine Stromquelle angeschlossen lassen, wenn er nicht benutzt wird.

5. Du kannst deinen Goal Zero Yeti aufladen und gleichzeitig deine Geräte benutzen.

### Strategie für optimale Nutzung:

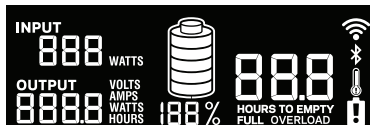
Achte bei der Aufladung deines Geräts mit dem Goal Zero Yeti auf das BATTERIEDISPLAY. Wenn du Geräte einsteckst, die viel Strom benötigen (einen großen Kühlschrank), kann das Ladeniveau des Goal Zero Yeti sehr schnell sinken und du erreichst evtl. nicht exakt einen Pegel von 1500 Wh Energie. Insbesondere bei Verwendung der AC-Leistung wandelt der Goal Zero Yeti die Energie aus der DC-Leistung des Akkus in die von deinem Gerät benötigte AC-Leistung um. Obwohl dein Goal Zero Yeti einen hocheffizienten Wechselrichter hat, geht bei der Umwandlung immer noch etwas Energie verloren und du bekommst nicht die volle Nennkapazität des Akkus. Wenn du kürzere Laufzeiten feststellst und die Leistungsanforderungen des Geräts überprüfen möchtest, findest du Hilfe unter FEHLERBEHEBUNG.

### Verwendung bei kaltem Wetter:

Niedrige Temperaturen (unter dem Gefrierpunkt) können die Akkukapazität des Goal Zero Yeti beeinträchtigen. Wenn du dich außerhalb des netzunabhängigen Bereichs bei Minusgraden aufhältst, empfehlen wir dir, deinen Goal Zero Yeti in einem isolierten Kühler aufzubewahren, der an eine Stromquelle (Solarmodule) angeschlossen ist, und deine Ausrüstung auflädt. Die natürliche Wärme, die der Goal Zero Yeti in einem isolierten Kühler erzeugt, hält die Akkukapazität auf höchstem Niveau. Aus Sicherheitsgründen kann der Yeti bei Temperaturen unter dem Gefrierpunkt nicht aufgeladen werden. Das Gerät zeigt eine Warnmeldung auf dem LCD an, wenn du dich dieser Temperatur näherst.

### LCD-Display

Das eingebaute LCD-Display zeigt vier wichtige Dinge an:



1. INPUT zeigt an, wie viel Leistung (Watt) während des Ladevorgangs in den Goal Zero Yeti fließt. Wenn du über die Solaranlage auflädst, wirst du sehen, wie sich die Wattleistung ändert, wenn du die Module in das Sonnenlicht hinein oder heraus bewegst.
2. OUTPUT zeigt den Stromverbrauch (Watt) deiner Geräte an, während sie an den Goal Zero Yeti angeschlossen sind.

3. TIME TO EMPTY/FULL zeigt an, wie lange es dauert, bis dein Goal Zero Yeti vollständig geladen oder leer ist, je nachdem, ob die Nettoenergiemenge, die in den Goal Zero Yeti fließt, positiv oder negativ ist.

4. BATTERY LEVEL zeigt 5 Segmente an, die ungefähr 20 % - 40 % - 60 % - 80 % - 100 % Kapazität darstellen. Bei Verwendung deines Goal Zero Yeti verschwinden Segmente aus der Anzeige und zeigen die verbleibende Ladung an. Beim Aufladen deines Goal Zero Yeti wirst du ein blinkendes Batteriesegment bemerken. Dies zeigt den aktuellen Ladestand an. Sobald dein Goal Zero Yeti vollständig aufgeladen ist, leuchten alle Batteriesegmente auf und bleiben konstant. Solange mehr Strom in den Goal Zero Yeti fließt, als aus den Ausgangsports gezogen wird, zeigt das Display auch die Zeit bis zur vollständigen Ladung an. Dies ist eine geschätzte Zeit, basierend auf der Leistungsaufnahme und der Ausgangszahl zu dem Zeitpunkt; sie verkürzt oder verlängert sich, wenn sich die Auf- oder Entladegeschwindigkeit ändert. Beachte, dass der Yeti beim ersten Anschließen an eine Stromquelle, sei es ein Solarmodul oder ein Wandladegerät, eine Minute brauchen kann, um seine Ladeschaltung zu erkennen und einzustellen, bevor er anfängt, Strom von der Quelle zu beziehen.

5. Das WIFI-Symbol zeigt an, dass das WIFI des Yeti eingeschaltet ist. Wenn es blinkt, kann der Yeti mit einem Gerät verbunden werden.

#### **Tasten vorne:**

Wenn du die Taste LICHT/LIGHT drückst, kannst du die Hintergrundbeleuchtung des Displays ein- oder ausschalten.

Wenn du die Taste UNIT drückst, scrollst du durch verschiedene Einstellungen für Ausgänge und Leistungsverbräuche. Einheiten + info gedrückt halten, um auf Werkseinstellung zurückzusetzen. Dadurch werden WLAN-Informationen und Konfigurationen gelöscht. Einheiten gedrückt halten, um Wattstundenzähler zurückzusetzen.

Durch Drücken der Taste INFO wechselt der Bildschirm zwischen der Anzeige des detaillierten Ladezustands des Akkus in Prozent und der Zeit bis zur Entleerung/ Vollladung.



## LAGERUNG UND WARTUNG BEI NICHT-NUTZUNG

Wenn du deinen Goal Zero Yeti zwischen den Einsätzen oder während der Lagerung an eine Stromquelle wie ein Solarmodul oder eine Wandsteckdose anschließt, bleibt der Akku gesund und voll. Dies verlängert die Akkulaufzeit und stellt sicher, dass dein Goal Zero Yeti den ganzen Tag geladen und einsatzbereit ist, jeden Tag.

**Wenn du deinen Goal Zero Yeti während der Lagerung nicht an eine Stromquelle angeschlossen lassen kannst, lade deinen Goal Zero Yeti alle 3 Monate vollständig auf und lagere ihn an einem kühlen, trockenen Ort. Wenn der Yeti mehrere Monate lang nicht verwendet wurde, können mehrere Zyklen notwendig sein, um genaue Ergebnisse zum Batteriestand und die verbleibende Zeit auf der Anzeige wiederherzustellen. Wenn du deinen Goal Zero Yeti nicht nach diesen Schritten wartest, kann es zu einem Akkuscha den kommen, der die Produktgarantie aufhebt.**

## Technische Spezifikationen

### Ladezeiten:

Ladegerät (120 W)	13 Std.
Autoladegerät (120 W)	13 Std.
Goal Zero Boulder 50	48-60 Std.
Goal Zero Boulder 100	24-30 Std.
Goal Zero Boulder 200 Briefcase	12-15 Std.

### Akku:

Zellchemie	Li-Ion NMC
Ladekapazität	1516 Wh (10,8 V, 140,4 Ah)
Gleichwertige Einzelzellen-Kapazität	421 Ah @ 3,6 V
Lebenszyklen	500 Zyklen bei 80 % Kapazität (Entladeleistung: 1 C, Aufladung/Entladung, Temp.: 25 C)
Haltbarkeit	Alle 3 bis 6 Monate aufladen
Managementsystem	MPPT Laderegler

### Anschlüsse:

USB-A Anschluss (Ausgang)	5 V, bis zu 2,4 A (12 W max.), reguliert
USB-C Anschluss (Ausgang)	5 - 12 V, bis zu 3,0 A (max. 18 W), reguliert
USB-PD Anschluss (Ausgang)	5 V - 20 V, bis zu 3,0 A (60 W max.), reguliert
6 mm Anschluss (Ausgang, 6 mm)	12 V, bis zu 10 A (max. 120 W), reguliert
12 V Auto-Anschluss (Ausgang)	12 V, bis zu 13A (max. 160 W), reguliert
12 V Power Pole-Anschluss (Ausgang)	12 V, bis zu 30 A (360 W max.), reguliert
120 V AC Wechselrichter (Ausgang, reine Sinuswelle)	120 VAC, 60 Hz, 16,5 A (2000 W, 3500 W Überspannung)
230 V AC-Wechselrichter (Ausgang, reine Sinuskurve) UNIVERSELLER ODER AUSTRALISCHER (TYP I) AC-STECKER	230 V AC 50 Hz, 8,5 A (2000 W, 3500 W Überspannung)
Auflade-Ausgang (Eingang, 8 mm)	14-50 V, bis zu 10 A (120 W max.)
Power Pole-Ladeanschluss (Eingang)	14-50 V, bis zu 50 A (600 W max.)
Anschluss Erweiterungsmodul	Verdeckter Anschluss unter dem Deckel. Für die ausschließliche Verwendung mit Goal Zero Erweiterungsmodul.

## Technische Spezifikationen





### WiFi:

RF Zertifikat	FCC/CE/IC/TELEC/KCC/SRRC/NCC
Protokolle	802,11 b/g/n (802,11 n bis zu 150 Mbps)
Frequenzbereich	2,4 - 2,5 GHz

### Bluetooth:

Protokolle	Bluetooth Low Energy
------------	----------------------

### Allgemein:

Gewicht	45,64 lbs (20,7 kg)
Abmessungen	15,25 x 10,23 x 10,37 in (38,74 x 25,98 x 34,54 cm)
Betriebstemperatur	0 bis 40°C
Zertifikate	   
Garantie	24 Monate

## Häufig gestellte Fragen

### Welche Art von Akku ist in meinem Goal Zero Yeti?

Dein Goal Zero Yeti verwendet speziell entwickelte Lithium-Ionen. Hier sind einige grundlegende Fakten über Lithium-Ionen-Akkus:

1. Lithium-Ionen-Akkus können viel Energie in kurzer Zeit speichern und freisetzen. Die Batterien in Ihrem Goal Zero Yeti befinden sich in einem geschützten Gehäuse mit einem ausgefeilten Batteriemanagement- und -schutzsystem, das die Kontakte nach außen schützt.
2. Es ist wichtig, dass dein Akku nicht nass wird, da Feuchtigkeit und Wasser in die Akkuzellen hinter der Schutzschaltung eindringen und diesen Schutz umgehen kann.

### Woher weiß ich, ob mein Goal Zero Yeti aufgeladen ist?

Den Ladezustand deines Goal Zero Yeti überprüfst du anhand der Batterieanzeige.

Wenn sie aufleuchtet, erscheint eine Batteriekontur mit 5 Segmenten, die den aktuellen Ladezustand anzeigt. Es ist IN ORDNUNG, deinen Goal Zero Yeti zu benutzen, auch wenn er nicht voll aufgeladen ist.

### Woher weiß ich, ob mein Gerät mit dem Goal Zero Yeti kompatibel ist?

Zuerst musst du feststellen, wie viel Strom dein Gerät benötigt. Dazu musst du evtl. einige Nachforschungen anstellen; eine detaillierte Internet-Suche oder das Lesen der Bedienungsanleitung deines Geräts sollten aber genügen.

Zweitens musst du die Kapazität für die einzelnen Ausgangsports überprüfen. Zum Beispiel wird der AC-Anschluss des Goal Zero Yeti von einem Wechselrichter gespeist, der eine Leistung von 2000 W zulässt. Das heißt, wenn dein Gerät längere Zeit mehr als 2000 W abzieht, schaltet sich der Wechselrichter des Goal Zero Yeti ab. Eine weitere Zahl, auf die du achten solltest, ist der Überspannungsschutz deines Gerätes im Vergleich zum Anschluss. Der Goal Zero Yeti Wechselrichter verfügt über ein fortschrittliches Überspannungs-Management-System, das seine Kompatibilität mit

verschiedenen Geräten maximiert, aber es wird immer noch Geräte geben, die mit einer höheren Rate und für eine längere Zeit überlastet sind, als der Goal Zero Yeti bewältigen kann, in diesem Fall schaltet sich der Anschluss von selbst aus.

Wenn du schließlich weißt, dass dein Gerät kompatibel ist, möchtest du sicher erfahren, wie lange du dein Gerät am Goal Zero Yeti aufladen kannst. Nachfolgend eine kurze und knappe Lektion zum Thema Energie.

Alle GOAL ZERO Power Banks und tragbaren Ladestationen haben eine Nummer im Namen, z.B. Guide10 Plus recharger, Goal Zero Yeti 1500X. Diese Zahlen beziehen sich auf die Wattstunden (Wh) oder die Energiemenge, die in jedem Ladegerät gespeichert werden kann, und so weißt du, ob dein Gerät mit jedem Ladegerät kompatibel ist. Zum Beispiel sollte eine 200 Wh Power Station eine 100 W-Lampe für 2 Stunden laufen lassen ( $200/100=2$ ). Wenn dein Gerät zu der Kapazität von 3000 Wh des Goal Zero Yeti passt, musst du noch die Beschränkungen jedes Ausgangsanschlusses überprüfen.

Ein weiterer Faktor in der Mathematik ist, wie viel Energie vom Goal Zero Yeti-Akku in das Gerät, das du mit Strom versorgst/auflädst, umgewandelt wird. In manchen Fällen, wenn du z.B. ein 12-V-Gerät wie LAL 350 direkt über den 12-V-Anschluss betreibst, findet keine Umwandlung und daher kein weiterer Verlust statt. Wenn du die USB-Anschlüsse zum Aufladen eines Smartphones verwendest, fügst du eine Konversionsschicht hinzu (der 12 V-Akku im Goal Zero Yeti wird in einen 5 V-USB-Ausgang umgewandelt), was etwa 10 % der Verlustleistung verursacht. Bei Verwendung des Wechselrichters gibt es zwei Konversionsschichten (12 V zu Hochspannung, DC zu AC). Der am wenigsten effiziente Weg, den Akku im Goal Zero Yeti zu nutzen, ist die Verwendung eines AC-DC-Adapters an den AC-Anschlüssen, wie es der Fall ist, wenn du ein Smartphone-Wandladegerät zum Aufladen deines Telefons verwendest, da es eine weitere Konversionsschicht im Wandadapter hinzufügt.

Für die Entscheidung, welches Gerät du mit deinem neuen GOAL ZERO Ladegerät betreibst, solltest du herausfinden, wie hoch der Stromverbrauch deines Geräts ist. Weitere schnelle Tipps und Hilfsmittel zum Lernen findest du unter [www.GoalZero.com/learn.html](http://www.GoalZero.com/learn.html)

## Fehlerbehebung

Wenn deine Geräte nicht von deinem Goal Zero Yeti aufgeladen werden, befolge diese Schritte:

1. Vergewissere dich, dass der Ausgangsport eingeschaltet ist. Das weiße LED-Licht an der Power-Taste sollte leuchten.

a. Wenn eines der Lichter rot leuchtet, zeigt dies eine Störung an. Drücke die Taste erneut, um dies zurückzusetzen. Das Licht wechselt auf weiß, wenn das Zurücksetzen erfolgreich war.

2. Prüfe die Batterie-Anzeige. Wenn sie bei 20 % oder darunter liegt, lade deinen Goal Zero Yeti auf.

3. Prüfe die LCD-Anzeige auf Warnsymbole:

**ÜBERLADUNG:** Die Stromaufnahme überschreitet die maximale Leistung des Anschlusses. Anzeigt durch ein rotes Licht in der Taste des Anschlusses.



Temperaturwarnung.  
Gerät abkühlen lassen.



Der Akku benötigt Aufmerksamkeit.  
Kunden-Support kontaktieren.  
1-888-794-6250

4. Überprüfe, ob dein Gerät für die Verwendung mit dem Goal Zero Yeti kompatibel ist:

a. Alle Ausgangsports des Goal Zero Yeti haben ihre eigene maximale Leistungskapazität. Überprüfe die technischen Daten des Goal Zero Yeti, um sicherzustellen, dass dein Gerät kompatibel ist.

5. Wenn du dennoch Schwierigkeiten mit deinem Goal Zero Yeti hast, rufe unser Kunden-Center unter 1-888-794-6250 an oder sende uns eine E-Mail unter support@goalzero.com.

**Bei Problemen mit der WIFI-Verbindung:**

1. Halte die WIFI-Taste ungefähr 3 Sekunden gedrückt, um den Yeti in den Verbindungsmodus zu bringen. Das WIFI-Symbol auf dem Bildschirm fängt an zu blinken.

2. Verbinde dein Gerät erneut mit dem Yeti gemäß Anleitung in der Goal Zero Yeti App.

**BATTERIEN 101:** GOAL ZERO bietet die modernste und beste Batterietechnologie als Begleitung für deine Abenteuer. Zu den Themen der vielseitigen und leichten Lithium-Ionen-Technologie bis zur robusten und leistungsstarken Bleisäure-Technologie haben wir einige hilfreiche Tipps zusammengestellt, damit deine GOAL ZERO Batterien optimal funktionieren.

### **i. Akkus brauchen Aktivität.**

Optimal für einen Akku ist es, wenn man ihn ständig verwendet. Lasse den Akku nicht über längere Zeit ohne Ladung stehen. Wenn du den Goal Zero Yeti ohne Ladegerät aufbewahrst, stelle sicher, dass er vollständig aufgeladen ist, bevor du ihn wegstellst.

### **ii. Der "Batteriespeicher"-Mythos.**

Aufgrund der alten Nickel-Cadmium- (NiCd)-Batterien kursiert ein Mythos namens "Tiefentladung", der besagt, dass man die Batterien komplett entladen sollte, bevor man sie wieder auflädt. Dies trifft zwar für NiCd-Batterien zu, aber die üblichen Batterien, die man in den meisten Geräten heute findet, erfordern keine derartige Entladung, und hierzu gehören auch die modernen Lithium- und Bleisäure-Batterien in deinem GOAL ZERO Ladegerät. Tatsächlich solltest du das Deep-Cycling deines Akkus vermeiden - es schadet in den meisten Fällen mehr als es nützt.

### **iii. Der "Stadium Effect".**

Der Stadium Effect tritt auf, wenn du deine Akkus auflädst. Du wirst feststellen, dass sich dein Akku anfangs schnell füllt und sich dann beim Versuch, die letzten paar Prozent aufzuladen, merklich verlangsamt. Stell dir vor, wie schnell sich ein Stadion füllt, wenn sich die Türen zum ersten Mal öffnen - es gibt Hunderte von freien Plätzen, so dass es einfach ist, den gewünschten Platz zu finden. Irgendwann gibt es nur noch ein paar freie Plätze hier und da und die Leute müssen umherlaufen, um den gewünschten Platz zu finden, und das Besetzen dieser Plätze dauert länger. Derselbe Grundsatz gilt für die Aufladung von

Batterien. Am Anfang ist es leicht, dass die Energie einströmt und leeren Raum einnimmt, und im Laufe der Zeit, wenn weniger Platz zur Verfügung steht, dauert es länger, bis die Energie die Öffnungen ausfüllt.

**iv. Lies bitte die Bedienungsanleitung.**

Ja, das kann dauern, aber das Lesen der Bedienungsanleitung ist der beste Weg, um herauszufinden, was man mit der Batterie des jeweiligen Geräts tun und lassen sollte. Wenn du deine Bedienungsanleitung liest, kannst du sicher sein, dass du Maßnahmen ergreifst, um deine Akkus in gutem Zustand zu erhalten.

**SOLAR GRUNDLAGEN:** GOAL ZERO macht es dir leicht, deine Ausrüstung an der Sonne aufzuladen - wir haben die Solarenergie nicht erfunden, sondern perfektioniert. Einige Dinge, die du beachten musst, wenn du deine Geräte mit Solarenergie aufladst:

**i. Solarmodule speichern die Energie der Sonne nicht, sie sammeln sie.**

Wir zeigen dir, wie man die Solarenergie zum Aufladen deiner Ausrüstung am besten nutzt: SAMMELN - SPEICHERN - NUTZEN. SAMMLE die Energie der Sonne mit einem Solarmodul. SPEICHERE die Energie in einem Ladegerät. NUTZE das Ladegerät, um dein Gerät am Tag oder in der Nacht zu betreiben. Wenn du ein echter Fan bist, kannst du deine Ausrüstung direkt an die Anschlussdose auf der Rückseite unseres NOMAD-Solarmoduls anschließen, um sie an der Sonne aufzuladen.

**ii. Nicht alle Solarladezeiten werden gleichermaßen erstellt.**

Die meisten Hersteller von Solarmodulen berechnen ihre Aufladezeiten mit der folgenden Gleichung: Geräte-Wattstunden/Solarmodul-Watt = Solar-Aufladezeiten. Theoretisch würde also ein 13-Watt-Solarmodul ein 50-Wattstunden-Ladegerät in 3,84 Stunden ( $50/13 = 3,84$ ) aufladen - und diese Zahl könnte man in Marketingmaterial für ein Solarmodul finden. Um die Ergebnisse über alle Hersteller hinweg zu vereinheitlichen, werden diese Tests jedoch unter Laborbedingungen durchgeführt. Die Wahrheit ist, dass du an einem guten, sonnigen Tag etwa 50-75% der Nennleistung deines Solarpanels erhältst, und so berechnen die Ingenieure von GOAL ZERO die Solaraufladezeiten, die du auf unserer Verpackung findest.



### **iii. Solar funktioniert auch bei Bewölkung.**

Solarmodule nutzen IR-, UV- und sichtbare Strahlen der Sonne, die durch Wolken hindurchdringen können. Obwohl der Wirkungsgrad des Solarmoduls bei Bewölkung abnimmt, gewinnst du immer noch wertvolle Energie aus der Sonne.

### **iv. Halte es fern von Schatten und Fenstern.**

Auch wenn du selbst an sonnigen Tagen den Schatten vorziehen solltest, nimmt dein Solarmodul mehr Energie auf, wenn es dem Sonnenlicht voll ausgesetzt ist. Fenster haben auch den Effekt, die Effizienz zu mindern. Lege die Module also ins Freie und in das direkte Sonnenlicht.

### **v. Die richtige Ausrichtung wirkt Wunder.**

Wenn du dein Solarmodul im Winkel zur Sonne hältst, kann die Solareffizienz erheblich gesteigert werden. Richte es ein und lass Mutter Natur den Rest erledigen.

## Garantie & Kontakt

### EINGESCHRÄNKTE GARANTIE

Mit dieser EINGESCHRÄNKTEN GARANTIE garantiert GOAL ZERO LLC ("GOAL ZERO") dem ursprünglichen Endverbraucher, dass dieses GOAL ZERO Produkt während der in Paragraph 2 unten genannten Garantiezeit frei von Verarbeitungs- und Materialfehlern bei normalem Gebrauch durch den Verbraucher ist, vorbehaltlich der in Absatz 5 unten genannten Ausschlüsse. Die vorstehenden Bestimmungen regeln die gesamte Haftung von GOAL ZERO sowie Ihre ausschließlichen Rechtsmittel bei jeder Garantieverletzung, ob ausdrücklich oder implizit. GOAL ZERO übernimmt keine weitere Haftung im Zusammenhang mit dem Verkauf von GOAL ZERO Produkten und bevollmächtigt niemanden, diese für uns zu übernehmen.

### GARANTIEFRIST

Die Garantiefrist für GOAL ZERO Bleiakkus (ob eigenständig oder als Teil eines anderen Produkts erworben) beträgt einhundertachtzig (180) Tage.

Die Garantiefrist für GOAL ZERO Yeti-Produkte auf Basis von Lithiumbatterien und Boulder Solar-Panels beträgt zwei (2) Jahre.

Die Garantiefrist für alle anderen GOAL ZERO Produkte und Komponenten beträgt ein (1) Jahr ab dem Datum des ursprünglichen Kaufs durch den ursprünglichen Endverbraucher.

Zur Feststellung des Beginns der Garantiezeit ist der Kaufbeleg des ursprünglichen Endverbraucher oder ein anderer angemessener Nachweis erforderlich. Wenn du das GOAL ZERO Online-Produktregistrierungsformular innerhalb von dreißig (30) Tagen nach Kauf deines Produkts ausgefüllt hast, kann diese Registrierung ebenfalls das Anfangsdatum der Garantiefrist festlegen (die Gewährleistung hängt jedoch nicht von dieser Registrierung ab).

### RECHTSMITTEL

GOAL ZERO wird in seinem Ermessen (1) das Produkt kostenfrei unter Verwendung neuer oder überholter Teile reparieren oder (2) das Produkt gegen ein Produkt umtauschen, das neu ist oder aus neuen oder betriebsfähigen gebrauchten Teilen hergestellt wurde und in seiner Funktionalität mindestens dem ursprünglichen Produkt gleichwertig ist. Für ein Umtauschprodukt/-teil gilt die verbleibende Garantie des Originalprodukts oder die Garantiefrist beträgt neunzig (90) Tage ab Datum des Umtauschs oder der Reparatur, je nachdem, welcher Zeitraum die längere Garantie darstellt. Wenn ein Produkt oder Teil umgetauscht wurde, geht der Umtauschartikel in deinen Besitz über und der umgetauschte Artikel geht in den Besitz von GOAL ZERO über.

### BESCHRÄNKT AUF DEN ENDVERBRAUCHER

Diese Garantie ist nicht auf einen nachfolgenden Besitzer eines GOAL ZERO Produkts übertragbar.

### AUSNAHMEN

Diese eingeschränkte Garantie gilt nur für Hardware-Produkte, die von oder für GOAL ZERO hergestellt wurden und durch das darauf angebrachte "GOAL ZERO" Handelszeichen, den "GOAL ZERO" Handelsnamen oder das "GOAL ZERO" Logo identifizierbar sind. Die eingeschränkte Garantie gilt nicht für Produkte, die nicht von GOAL ZERO sind, selbst wenn sie zusammen mit GOAL ZERO Produkten

verpackt oder verkauft wurden. Hersteller oder Lieferanten, die nicht zu GOAL ZERO gehören, können ihre eigene Garantien geben. Für Verbraucher außerhalb der 48 zusammenhängenden US-Bundesstaaten gilt eine Garantiefrist von einem (1) Jahr für Lithiumbatterien und Boulder Solar-Panels. Ansprüche bezüglich Lithiumbatterien und Boulder Panels von Kunden außerhalb der zusammenhängenden 48 Bundesstaaten nach der einjährigen (1-jährigen) Garantiefrist werden von Fall zu Fall gemäß der örtlichen behördlichen Anforderungen behandelt.

Diese Garantie gilt nicht für: (i) Schäden, die versehentlich, durch Missbrauch, unsachgemäße oder fehlerhafte Verwendung entstanden sind, bzw. Produkte, die nicht von GOAL ZERO sind; (ii) Schäden, die durch eine Dienstleistung verursacht wurden, die nicht von GOAL ZERO durchgeführt wurde; (iii) ein Produkt oder Teil, das ohne die schriftliche Genehmigung von GOAL ZERO modifiziert wurde; (iv) ein Produkt, auf dem eine GOAL ZERO Seriennummer entfernt oder unleserlich gemacht wurde, oder (v) ein Produkt, das bei einem Online-Auktionshaus erworben wurde. Diese eingeschränkte Garantie gilt für Batteriezellen oder Produkte, die eine Batteriezelle enthalten, nur dann, wenn die Batteriezelle von dir innerhalb von sieben (7) Tagen nach Kauf des Produkts und mindestens einmal alle darauffolgenden 6 Monate komplett aufgeladen wurde.

DIESE GARANTIE UND DIE HIER FESTGELEGTEN RECHTSMITTEL GELTEN EXKLUSIV UND ERSETZEN ALLE ANDEREN GARANTIEN, RECHTSMITTEL UND BEDINGUNGEN, OB MÜNDLICH ODER SCHRIFTLICH, AUSDRÜCKLICH ODER IMPLIZIT. GOAL ZERO ÜBERNIMMT INSBESONDERE KEINERLEI STILLSCHWEIGENDE GEWÄHRLEISTUNGEN, EINSCHLIESSLICH, ABER NICHT BESCHRÄNKT AUF DIE GEWÄHRLEISTUNG DER HANDELSÜBLICHEN QUALITÄT UND DIE EIGNUNG FÜR EINEN BESTIMMTEN ZWECK. FALLS GOAL ZERO DIE IMPLIZITEN GEWÄHRLEISTUNGEN IM RAHMEN DIESER BESCHRÄNKTEN GARANTIE NICHT RECHTMÄSSIG ZURÜCKWEISEN KANN, SIND ALLE DIESE GEWÄHRLEISTUNGEN EINSCHLIESSLICH GEWÄHRLEISTUNG DER HANDELSÜBLICHEN QUALITÄT UND EIGNUNG FÜR EINEN BESTIMMTEN ZWECK ZEITLICH AUF DIE DAUER DIESER GARANTIE BESCHRÄNKT. Kein Reseller, Vertreter oder Mitarbeiter von GOAL ZERO ist berechtigt, diese Garantie zu modifizieren, zu erweitern oder zu ergänzen. IN KEINEM FALL IST GOAL ZERO HAFTBAR FÜR DIREKTE, SPEZIELLE, FOLGE- ODER BEILÄUFIG ENTSTANDENE SCHÄDEN, DIE SICH AUS DER NUTZUNG ODER FEHLFUNKTION EINES GOAL ZERO PRODUKTES ODER AUS EINER GARANTIEVERLETZUNG ERGEBEN, EINSCHLIESSLICH SCHÄDEN AN ANDEREN GERÄTEN. IN KEINEM FALL ÜBERSTEIGT GOAL ZEROs HAFTUNG FÜR JEDLICHE ANSPRÜCHE, OB DURCH VERTRAG, GARANTIE, UNERLAUBTE HANDLUNG (EINSCHLIESSLICH FAHRLÄSSIGKEIT UND STRIKTE HAFTUNG) ODER IM RAHMEN JEDLICHER ANDERER HAFTUNGSGRUNDSÄTZE, DEN VON DIR FÜR DAS GOAL ZERO-PRODUKT GEZAHLTEN BETRAG. Einige Staaten lassen keine Beschränkungen der Dauer einer stillschweigenden Garantie zu, so dass die obige Beschränkung möglicherweise nicht auf dich zutrifft. Diese Garantie gibt dir bestimmte gesetzliche Rechte, und du kannst auch andere Rechte haben, die von Staat zu Staat variieren.

## **ERHALT VON GARANTIELEISTUNGEN**

Um Garantieleistungen zu erhalten, musst du unseren Kundendienst telefonisch unter (888) 794-6250 oder per E-Mail unter [support@goalzero.com](mailto:support@goalzero.com) kontaktieren. Wenn unser Kundendienstteam feststellt, dass es sich um eine Garantiefrage handelt, erhältst du eine RMA-Nummer ("Return Material Authorization" = Nummer der Genehmigung zur Materialrücksendung). Du musst das Produkt ordnungsgemäß verpacken, die RMA-Nummer deutlich auf dem Paket vermerken und einen Nachweis über das Kaufdatum mit dem Produkt beilegen. Du musst das Produkt per Post oder Kurierdienst an GOAL ZERO in 675 West 14600 South, Bluffdale, Utah, USA 84065 senden und die Portokosten selbst tragen. Wir werden deine Rücksendung bearbeiten und dir dein repariertes oder Ersatzprodukt auf unsere Kosten für den Versand an Standorte in Nordamerika zusenden. Im Fall von Produkten, die außerhalb Nordamerikas gekauft oder transportiert wurden, kontaktiere bitte den Händler, bei dem du das Produkt erworben hast, oder sende eine E-Mail an [support@goalzero.com](mailto:support@goalzero.com), um weitere Händlerinformationen zu erhalten.



## CÁRGAME AHORA



Antes de usarlo o almacenarlo, conecte su Goal Zero Yeti a la pared hasta que esté completamente cargado. Mantenga su Goal Zero Yeti enchufado cuando no esté en uso para asegurarse de que siempre esté listo. Esto NO causará daños a su batería. Obtenga más consejos y trucos para mantener su batería en buen estado, consultando la sección BATERÍAS 101.



## INSTRUCCIONES DE SEGURIDAD IMPORTANTES



Lea todas las instrucciones y precauciones detenidamente antes de usarlo para evitar daños personales o a la unidad y cualquier producto conectado

**Tenga en cuenta todas las capacidades nominales de los conectores de entrada/salida:** Para evitar el riesgo de incendio o descarga eléctrica, tenga en cuenta todas las capacidades nominales de la unidad y de los productos que vaya a usar. Consulte los manuales para obtener información adicional.

**Use el equipo en una zona ventilada:** Asegúrese de que haya una adecuada ventilación cuando esté en uso y no obstruya las aberturas del ventilador de la unidad. Una ventilación inadecuada podría provocar daños en la unidad. No apile nada sobre la unidad en almacenamiento o en uso.

**Las fuentes de alimentación se calentarán cuando estén en uso:** mantenga su fuente de alimentación Yeti en un área seca y bien ventilada cuando esté en uso. No mantenga la fuente de alimentación debajo de la tapa cuando esté en uso.

**NO utilice el equipo en condiciones de humedad:** Para evitar cortocircuitos o descargas eléctricas, no deje que la unidad se humedezca. Espere a que la unidad se seque por completo antes de usarla.

**Mantenga la unidad limpia y seca:** Inspeccione regularmente la unidad en busca de suciedad, polvo o humedad.

**Peligro de descarga o incendio:** este equipo Yeti genera la misma potencia de corriente alterna (CA) potencialmente letal que una toma de corriente doméstica normal. Utilícelo con cuidado al igual que un tomacorriente de CA normal de pared.

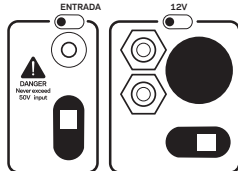
**NO** introduzca objetos extraños en las salidas ni en los orificios de ventilación.

**NO** manipule ni intente reemplazar su batería. Para obtener información sobre una batería de repuesto, comuníquese con el centro de soluciones Goal Zero.

Cualquier manipulación de la unidad o sus componentes anulará la garantía.

## Conozca su equipo

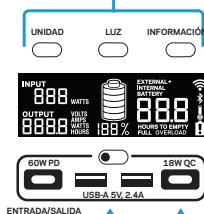
Entrada de 8 mm para cargar desde paneles solares Goal Zero o CA



Salidas 12V

Entrada de polo de energía Anderson para cargar desde los paneles de energía solar Goal Zero, o CA

Botones interactivos y pantalla LCD



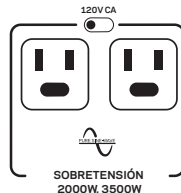
ENTRADA/SALIDA

Suministro de Potencia USB-C Entrada/Salida 5-20V, hasta 3A (60W)

USB 5V, hasta 2,4A (12W)

USB-C 5-12V, 3A(18W)

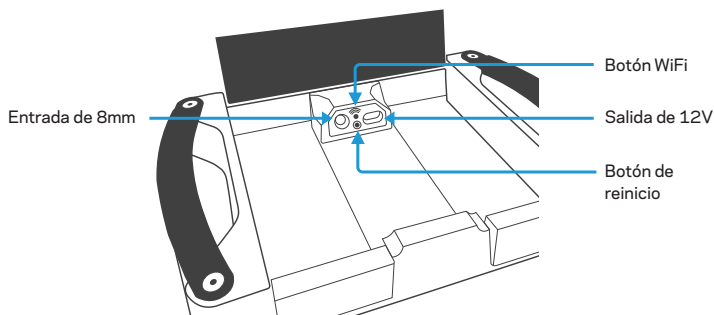
Salidas CA



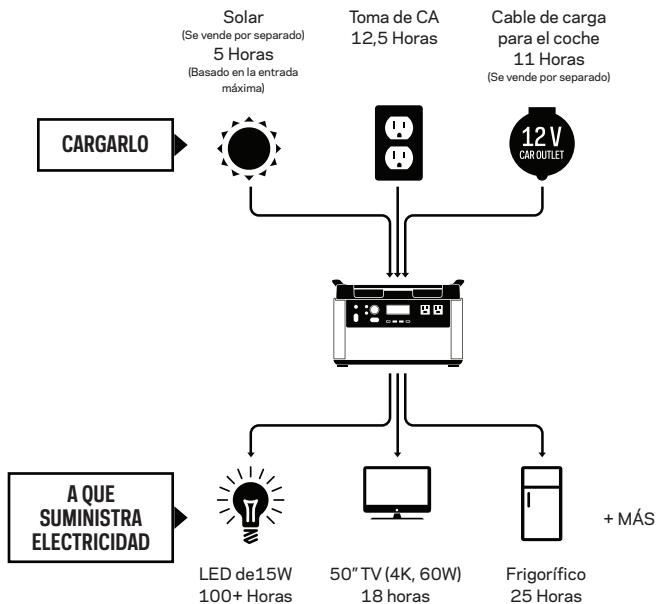
### Botones bajo la tapa:

Al pulsar el botón WiFi se activará la WiFi del Yeti para la conexión a un dispositivo. Para obtener información sobre la conexión de su dispositivo al Yeti, consulte la Guía de Inicio de la aplicación del Yeti que se incluye. Además, mantener presionado el botón WiFi cambia entre los modos de emparejamiento y conexión.

Al presionar y mantener presionado se realizará un restablecimiento parcial (no se realiza un restablecimiento de fábrica y no se restablecen los vatios-hora). Debe mantener presionado el botón de unidades para restablecer el contador de vatios-hora.



## Cómo funciona





## Cómo cargar su Goal Zero Yeti

**CÁRGAME AHORA:** antes de usarlo o almacenarlo, conecte su Goal Zero Yeti a la pared hasta que esté completamente cargado. Mantenga su Goal Zero Yeti enchufado cuando no esté en uso para asegurarse de que siempre esté listo. Esto **NO** causará daños a su batería. Obtenga más consejos y trucos para mantener su batería en buen estado, consultando la sección **BATERÍAS 101**.

Al cargar su Goal Zero Yeti, notará un segmento de batería parpadeando en la pantalla. Esto indica el estado de carga actual. Una vez que su Goal Zero Yeti esté completamente cargado, todos los segmentos de la batería se encenderán y permanecerán estables. Mientras haya más potencia en el Goal Zero Yeti que la que se extrae de los puertos de salida, la pantalla también indicará el tiempo hasta que esté completamente cargado. Este es un tiempo estimado basado en los números de entrada y salida de energía en ese momento; gradualmente se ajustará a un tiempo más corto o más largo a medida que fluctúen las tasas promedio de carga o descarga.

### Cómo cargar con un toma corriente

Con el cargador de pared de CA de 120W incluido, conecte su Goal Zero Yeti a cualquier toma de corriente. Sabrá que el Goal Zero Yeti se está cargando cuando se enciende la luz LED azul al lado del puerto INPUT y los segmentos de la batería en la PANTALLA DE LA BATERÍA parpadean. El Goal Zero Yeti está completamente cargado cuando todos los segmentos de la batería dejan de parpadear y permanecen estables. El Goal Zero Yeti debe recargarse desde la pared en unas 13 horas.

1. El adaptador de pared de CA viene en dos piezas. Conecte las dos piezas enchufando el cable en la caja.
2. El cargador de pared de CA de 120W con el conector de barril de CC de 8 mm, se

**NOTA:** Para cargar desde la salida de 12V en su vehículo, use nuestro cable de carga de coche de 12V SKU 98079.

puede enchufar en la parte frontal del Yeti o debajo de la tapa.

3. Solo puede usar un cargador de pared a la vez. Si desea cargar su Yeti más rápido, llame a nuestro centro de soluciones o consulte nuestras opciones de carga rápida en [goalzero.com](http://goalzero.com).

### Cómo cargar con energía solar

**NOTA IMPORTANTE: Al recargar con energía solar su Goal Zero Yeti, tome nota de los voltajes de los paneles solares y no exceda los 50V. Los paneles solares individuales o paneles solares en serie que excedan los 50V no se pueden utilizar con el Goal Zero Yeti y pueden causar daños graves a la unidad. Para obtener ayuda sobre la colocación de paneles solares, llame a nuestro Centro de Soluciones al Cliente al 888-794-6250.**

Hay tres entradas diferentes que puede usar cuando cargue su Goal Zero Yeti con energía solar, dos de las cuales se encuentran en el área "INPUT" en el lado izquierdo de la placa frontal del Goal Zero Yeti y, una tercera, que se encuentra dentro del compartimento de almacenamiento, bajo la tapa superior. Uno de los puertos frontales y el puerto dentro del compartimento de almacenamiento son puertos redondos de 8 mm diseñados para usarse con paneles solares Goal Zero o cargador de pared. Cada puerto de entrada de 8 mm puede manejar hasta 120W. El puerto Anderson Power Pole está diseñado para usarse con paneles solares de mayor o superior potencia y puede manejar 600W de potencia, que es la capacidad total de potencia en todos los puertos de entrada.

1. Coloque su panel solar en un lugar donde pueda obtener toda la luz solar directa posible.
2. Inserte el conector del panel solar de anillo azul en uno de los puertos INPUT, ya sea en la parte frontal del Goal Zero Yeti o en el compartimento de almacenamiento

que está ubicado debajo de la tapa superior. Sabrá que el Goal Zero Yeti se está cargando cuando se enciende la luz LED azul al lado del puerto INPUT y los segmentos de la batería en la PANTALLA DE LA BATERÍA parpadean. El Goal Zero Yeti está completamente cargado cuando todos los segmentos de la batería dejan de parpadear y permanecen estables. El Goal Zero Yeti está completamente cargado cuando todos los segmentos de la batería dejan de parpadear y permanecen estables.

3. También puede conectar el Goal Zero Yeti a los paneles solares usando el puerto Anderson PowerPole y el adaptador apropiado (si es necesario), junto al puerto de carga de 8mm.

4. Puede conectar en serie varios paneles solares Goal Zero para reducir los tiempos de recarga de energía solar. Su Goal Zero Yeti es capaz de recibir 120W de entrada a través de los puertos de 8 mm y no más de 600W de energía solar a través del puerto de la aplicación.

**NOTA:** Si está ingresando desde paneles solares en múltiples puertos, solo puede combinar entradas si los paneles que se usan tienen el mismo voltaje. Los paneles que emiten diferentes voltajes no podrán combinarse a través de diferentes puertos. Si está utilizando paneles con diferentes voltajes en dos o más de los puertos de entrada, el Yeti seleccionará la entrada solar más alta disponible. Además, las entradas solares y de CA no podrán combinarse. Si está ingresando desde un panel solar y una toma de corriente de pared, el Yeti seleccionará la más alta de las dos entradas.

---

## Cómo utilizar su Goal Zero Yeti

Cómo utilizar su Goal Zero Yeti:

1. Oprima el botón de encendido ubicado en la parte superior de cada puerto que va a utilizar. \*\*Cuando no esté utilizando ciertos puertos, cerciórese de apagarlos para conservar energía.
2. Sabrá que el puerto está encendido cuando se ilumina la luz LED blanca del botón.
3. Enchufe su equipo para cargarlo a donde quiera que vaya.

4. Si es posible, mantenga su Goal Zero Yeti conectado a una fuente de alimentación cuando no esté en uso.

5. Puede cargar su Goal Zero Yeti y usar su equipo al mismo tiempo.

### Mejor estrategia de uso:

Al cargar equipo con su Goal Zero Yeti, tome nota de la Pantalla de la Batería. Si conecta dispositivos que tienen un alto requerimiento de energía (un frigorífico grande), el nivel de carga de su Goal Zero Yeti puede caer muy rápidamente y es posible que no obtenga exactamente 1500Wh de capacidad. Además, especialmente cuando se utiliza la salida de alimentación de CA, el Goal Zero Yeti convierte la energía de corriente continua de la batería a corriente alterna que necesita el dispositivo. Aunque su Goal Zero Yeti tiene un inversor altamente eficiente, todavía se puede perder energía en la conversión y no obtendrá la capacidad nominal total de la batería. Si tiene tiempos de ejecución más cortos, es posible que desee verificar los requisitos de energía del dispositivo, consulte la sección SOLUCIÓN DE PROBLEMAS para obtener ayuda.

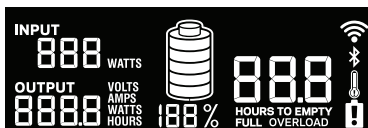
### Uso en clima frío:

Las temperaturas bajas (por debajo del punto de congelación) pueden afectar la capacidad de la batería Goal Zero Yeti. Si vive en condiciones sub-cero, le recomendamos que mantenga su Goal Zero Yeti en un refrigerador aislado, conectado a una fuente de energía (paneles solares), y la carga de su equipo. El calor natural generado por el Goal Zero Yeti contenido en un refrigerador aislado mantendrá la capacidad de la batería en su punto más alto. El Yeti no permitirá cargar por debajo del punto de congelación por razones de seguridad. La unidad mostrará una advertencia en la pantalla LCD cuando se acerque

esta temperatura

### Pantalla LCD

La pantalla LCD incorporada indica cuatro cosas importantes:



1. INPUT muestra la cantidad de potencia (vatios) que entra en el Goal Zero Yeti mientras se carga. Si se carga con energía solar, verá que los vatios cambian a medida que reposiciona los paneles dentro/fuera de la luz solar.

2. OUTPUT muestra la cantidad de energía (vatios) que usan sus dispositivos mientras están conectados al Goal Zero Yeti.

3. TIME TO EMPTY/FULL muestra la cantidad de tiempo antes de que su Goal Zero Yeti esté completamente cargado o vacío, dependiendo de si la cantidad neta de energía que va al Goal Zero Yeti es positiva o negativa.

4. NIVEL DE BATERÍA muestra 5 segmentos, aproximándose al 20 % - 40 % - 60 % - 80 % - 100 % de capacidad. Cuando utilice su Goal Zero Yeti, los segmentos desaparecerán de la pantalla, indicando la carga restante. Al cargar su Goal Zero Yeti, notará que un segmento de la batería parpadea. Esto indica el estado de carga actual. Una vez que su Goal Zero Yeti esté completamente cargado, todos los segmentos de la batería se encenderán y permanecerán estables. Mientras haya más potencia en el Goal Zero Yeti que la que se extrae de los puertos de salida, la pantalla también indicará el tiempo hasta que esté completamente cargado. Este es un tiempo estimado basado en los números de entrada y salida de energía en ese momento; se ajustará a un tiempo más corto o más largo si las tasas de carga o descarga fluctúan. Tenga en cuenta que cuando lo conecte a una fuente de alimentación, ya sea un panel solar o un cargador de pared, el Yeti puede tardar un minuto en detectar y ajustar su circuito de carga antes de que empiece a sacar energía de la fuente.

5. El símbolo WiFi indica que la WiFi del Yeti está encendida. Si parpadea, el Yeti está listo para conectarse a un dispositivo.

#### **Botones frontales:**

Al presionar el botón LIGHT se encenderá y apagará la retroiluminación .

Al presionar el botón UNIT, se desplazará por las diferentes configuraciones de salida y consumo de energía. Mantenga las unidades + información para realizar el restablecimiento de fábrica. Esto elimina la información wifi y las configuraciones.

Mantenga las unidades para restablecer el contador de vatios-hora.

Al presionar el botón INFO, la pantalla alternará entre mostrar el porcentaje detallado del estado de carga de la batería y el Tiempo a Vacía/Cargada.

## Almacenamiento y mantenimiento durante las paradas

Conectar su Goal Zero Yeti a una fuente de alimentación, como un panel solar o un enchufe de pared, entre aventuras o mientras que está almacenado, mantiene su batería en buen estado y completa. Esto prolonga la vida de la batería y garantizará que su Goal Zero Yeti está cargada y lista para operar todo el día, todos los días.

**Si no puede mantener su Goal Zero Yeti conectado a una fuente de alimentación durante el almacenamiento, cargue completamente su Goal Zero Yeti cada 3 meses y guárdelo en un lugar fresco y seco. Si el Yeti no se ha utilizado durante varios meses, puede requerir varios ciclos de carga para restaurar resultados precisos en los valores restantes de porcentaje de batería y tiempo en la pantalla. No conservar a su Goal Zero Yeti siguiendo estos pasos puede ocasionar daños en la batería que anularán la garantía del producto.**

## Especificaciones técnicas

### Tiempos de carga:

Cargador de pared (120W)	13 horas
Cargador del coche (120W)	13 horas
Goal Zero Boulder 50	48-60 horas
Goal Zero Boulder 100	24-30 horas
Maletín Goal Zero Boulder 200	12-15 horas

### Batería:

Química de la Celda	Li-ion NMC
Capacidad de Paquete	1516Wh (10,8V, 140,4Ah)
Capacidad equivalente a una celda individual	421Ah @ 3,6V
Ciclos de vida	500 ciclos al 80 % de capacidad (velocidad de descarga: 1C, carga/descarga completa, temperatura: 25C)
Vida útil	Cargar cada 3-6 meses
Sistema de Administración	Controlador de carga MPPT

### Puertos:

Puerto USB-A (salida)	5V, hasta 2,4 A (12 W máx.), regulados
Puerto USB-C (salida)	5 - 12V, hasta 3.0A (18W máx.), regulado
Puerto USB-PD (salida)	5 - 20V, hasta 3.0A (60W máx.), regulado
Puerto de 6 mm (salida de 6 mm)	12 V, hasta 10A (120W máx.), regulado
Puerto 12V de coche (salida)	12V, hasta 13A (160W máx.), regulado
Puerto 12V de línea de electricidad (salida)	12 V, hasta 30A (360W máx.), regulado
Inversor 120V de CA (salida, onda senoidal pura)	120VAC 60Hz, 16,5A (2000W,3500W sobretensión)
Inversor de 230V CA (salida, onda senoidal pura) ENCHUFES DE CA UNIVERSALES O PARA AUSTRALIA (TIPO I)	230VAC 50Hz, 8,5A (2000W, 3500W sobretensión)
Puerto de carga (entrada, 8mm)	14-50V, hasta 10A (120W máx.)
Puerto de carga de polo de energía (entrada)	14-50V, hasta 50A (600W máx.)
Puerto del módulo de expansión	Puerto cubierto bajo la tapa. Para usarlo solo con los módulos de expansión Goal Zero.

## Especificaciones técnicas

### WiFi:

Certificación RF	FCC/CE/IC/TELEC/KCC/SRRC/NCC
Protocolos	802,11 b/g/n (802,11n hasta 150 Mbps)
Rango de frecuencia	2,4-2,5 GHz

### Bluetooth:

Protocolos	Bluetooth de baja energía
------------	---------------------------

### General:

Peso	45,64 lbs (20,7 kg)
Dimensiones	15.25 x 10.23 x 10.37 in (3,74 x 25,98 x 34,54 cm)
Temperatura en funcionamiento	32-104 F (0-40 C)
Certificaciones	   
Garantía	24 meses



## Preguntas frecuentes

### ¿Qué tipo de batería utiliza mi Goal Zero Yeti?

Su Goal Zero Yeti utiliza una batería de ion de litio personalizada. Estos son algunos datos básicos sobre las baterías de ion de litio:

1. Las baterías de iones de litio pueden almacenar y liberar mucha energía en un corto período de tiempo. Las baterías de su Goal Zero Yeti están en un compartimiento de protección con un sofisticado sistema de manejo y protección de baterías que controla sus terminales en relación con el exterior.
2. Es fundamental que la batería no se moje, ya que la humedad y el agua pueden entrar en las celdas de la batería detrás de los circuitos de protección y penetrar la protección.

### ¿Cómo sé si mi Goal Zero Yeti está cargado?

Para comprobar el nivel de carga de su Goal Zero Yeti, consulte la Pantalla de la Batería. Cuando está iluminada, verá un contorno de batería con 5 segmentos, que indica el nivel de carga actual. Puede usar su Goal Zero Yeti incluso cuando no esté completamente cargado.

### ¿Cómo sé si mi dispositivo funcionará con el Goal Zero Yeti?

Primero, necesitará determinar la cantidad de energía que su dispositivo requiere. Esto puede requerir que usted investigue por su cuenta, busque en el Internet o revise la guía de usuario para su dispositivo.

En segundo lugar, deberá verificar la capacidad de los puertos de salida individuales. Por ejemplo, el puerto de CA del Goal Zero Yeti está alimentado por un inversor que permite 2000W de potencia. Esto significa que, si su dispositivo está recibiendo más de 2000W durante un período de tiempo prolongado, el inversor de Goal Zero Yeti se apagará. Otro punto a tener en cuenta es el nivel de sobretensiones de su dispositivo en comparación con el del puerto. El inversor de Goal Zero Yeti tiene un avanzado sistema de manejo de sobretensiones que maximizará su compatibilidad con varios dispositivos, pero todavía

habrá elementos que aumentarán a un ritmo más alto, y durante un tiempo más largo, que el Goal Zero Yeti puede manejar, en tal caso el puerto se apagará por sí mismo.

Por último, una vez que sepa que su dispositivo es compatible, deberá determinar durante cuánto tiempo podrá encender su equipo con el Goal Zero Yeti. Aquí le presentamos una lección breve sobre la energía.

Todos los bancos de energía GOAL ZERO y las estaciones de energía portátiles tienen un número en su nombre, ej. Recargador Guide10 Plus, Goal Zero Yeti 1500X. Estos números se refieren a las vatios-hora (Wh), o la cantidad de energía que se puede almacenar en cada cargador, y cómo sabrá si su equipo es compatible con cada cargador. Por ejemplo, una estación de energía de 200Wh debería encender una luz de 100W durante 2 horas ( $200/100 = 2$ ). Si su equipo está dentro de la capacidad de 1500Wh del Goal Zero Yeti, deberá verificar las restricciones en cada uno de los puertos de salida.

Otro factor a tener en cuenta es cuánta energía se está convirtiendo desde la batería del Goal Zero Yeti al dispositivo que está alimentando/cargando. En algunas situaciones, como cuando se usa un dispositivo de 12 V, como el LAL 350, directamente conectado al puerto de 12 V, no habrá conversión y por lo tanto no habrá pérdidas adicionales. Al usar los puertos USB para cargar un teléfono, se agrega una capa de conversión (la batería de 12V en el Goal Zero Yeti se convierte en una salida USB de 5V), lo que representa alrededor del 10% de las pérdidas. Cuando se utiliza el inversor, hay dos capas de conversión (12V a voltaje alto, CC a CA). La manera menos eficiente de usar la batería en el Goal Zero Yeti es usar un adaptador CA-CC conectado a los puertos de CA, como cuando usa un cargador de teléfono de pared para cargar su teléfono, ya que agrega otra capa de conversión en el adaptador de pared.

Así que cuando usted decide qué dispositivo alimentar con su nuevo cargador de GOAL ZERO, investigue sobre el consumo de vatios de su dispositivo. Para obtener más consejos y herramientas de aprendizaje, visite [www.GoalZero.com/learn.html](http://www.GoalZero.com/learn.html)

## Resolución de problemas

Si sus dispositivos no se están cargando desde su Goal Zero Yeti, siga estos pasos:

1. Asegúrese de que el puerto de salida esté encendido. La luz LED blanca del botón de encendido debe estar encendida.

a. Si alguna de las luces ha cambiado a rojo, esto indica un error. Presione el botón otra vez para reiniciarlo. La luz se pondrá blanca cuando haya reiniciado con éxito.

2. Revise la pantalla de la batería. Si está al 20% o menos, cargue su Goal Zero Yeti.

3. Revise los símbolos de advertencia en la pantalla LCD:

**SOBRECARGA:** el consumo de energía supera la capacidad máxima del puerto. Se indica mediante la luz roja en el botón del puerto.



Advertencia de temperatura. Deje que la unidad se enfríe.



La batería requiere atención. Contacte apoyo al cliente. 1-888-794-6250

4. Compruebe que su dispositivo sea adecuado para usarlo con el Goal Zero Yeti:

a. Todos los puertos de salida de Goal Zero Yeti tienen su propia capacidad de potencia máxima. Consulte las especificaciones técnicas de Goal Zero Yeti para asegurarse de que su dispositivo es compatible.

5. Si continúa teniendo problemas con su Goal Zero Yeti, llame a nuestro Centro de Soluciones al Cliente al 1-888-794-6250 o por correo electrónico a [support@goalzero.com](mailto:support@goalzero.com).

**Si tiene problemas con la conexión WiFi:**

1. Pulse y mantenga pulsado el botón WiFi durante unos 3 segundos, aproximadamente, para forzar el Yeti al modo de conexión. El símbolo WiFi en pantalla comenzará a destellar.

2. Conecte de nuevo su dispositivo a su Yeti siguiendo las instrucciones de la aplicación del Goal Zero Yeti.

## Educación

**BATERÍAS 101: GOAL ZERO** utiliza lo último y lo mejor en tecnología de baterías para acompañarlo en todas las aventuras de la vida. Desde el versátil y ligero Lithium Ion, hasta el potente y sólido plomo ácido, hemos recopilado algunos consejos útiles para que sus baterías GOAL ZERO funcionen mejor.

i. **Las baterías necesitan ejercicio.** Lo mejor para cualquier batería es usarla. No deje la batería sin usarla y sin cargarla durante largos periodos de tiempo. Si va a almacenar el Goal Zero Yeti sin un cargador, asegúrese de que esté completamente cargado antes de guardarlo.

ii. **El mito de la "memoria de la batería".** Gracias a las viejas baterías de níquel-cadmio (NiCd), hay un mito que dice que debe agotar por completo sus baterías antes de enchufarlas para una recarga llamada "ciclo profundo". Aunque aplica a las baterías de NiCd, las baterías típicas que encontrará en la mayoría de sus equipos hoy en día, incluyendo las avanzadas baterías de litio y plomo usadas en sus cargadores GOAL ZERO, no requieren tal descarga. De hecho, debe evitar los ciclos profundos de las baterías, ya que son más perjudiciales que beneficiosos, en la mayoría de casos.

iii. **El "Efecto Estadio".** El efecto estadio se produce al recargar las baterías. Observará que su batería se recarga rápidamente al principio, luego se ralentiza notablemente al intentar cargar los últimos porcentajes. Piense en la rapidez con que un estadio se llena cuando las puertas se abren por primera vez: hay cientos de asientos abiertos por lo que es fácil encontrar el que desea. Eventualmente, solo hay unos pocos asientos abiertos aquí y allá y las personas tienen que maniobrar para encontrar el lugar que desean y llenar esos asientos lleva más tiempo. La misma teoría aplica a la recarga de baterías. Es fácil que la energía fluya y ocupe espacio vacío al principio, y con el tiempo, hay menos espacio disponible y tarda más tiempo para que la energía llene los espacios.

iv. **Lea el manual.** Sí, puede ser una lectura larga, pero el manual es el mejor lugar para encontrar lo que debe y no debe hacer con la batería de su dispositivo específico. Lea su manual para asegurarse que está tomando medidas para mantener sus baterías en buenas condiciones.

**SOLAR 101:** GOAL ZERO facilita la recarga de su dispositivo con la energía solar. No inventamos la energía solar, la perfeccionamos. Algunas cosas a tener en cuenta al recargar su equipo con energía solar:

i. **Los paneles solares no almacenan la energía solar; solo la recolectan.** Le enseñamos a RECOLECTAR - ALMACENAR - USAR cuál es la mejor manera de utilizar la energía solar para recargar su equipo. RECOLECTE la energía solar con un panel solar. ALMACENE la energía en un cargador. USE el cargador para alimentar sus equipos, de día o de noche. Si es una persona conservadora, puede conectar su equipo directamente a la caja de conexiones en la parte posterior de nuestros paneles solares NOMAD para recargarlos con el sol.

ii. **No todos los tiempos de carga con energía solar se establecen de la misma forma.**

La mayoría de fabricantes de paneles solares calculan sus tiempos de recarga usando la siguiente ecuación:  $\text{Vatios-hora del Dispositivo} / \text{Vatios del Panel Solar} = \text{Tiempos de Recarga Solar}$ . Por lo tanto, teóricamente, un panel solar de 13 vatios recargaría un recargador de 50 vatios-hora en 3,84 horas ( $50/13 = 3,84$ ) - y éste es el número que usted podría encontrar en el material de comercialización de un panel solar. Sin embargo, con el fin de estandarizar los resultados de todos los fabricantes, estas pruebas se completan en entornos de laboratorio. La verdad es que, en un buen día soleado, recibirá alrededor del 50-75% de la potencia nominal en su panel solar, y así es como los ingenieros de GOAL ZERO calculan los tiempos de recarga solar que ve en nuestros embalajes.

iii. **La energía solar funciona, incluso en días nublados.** Los paneles solares utilizan rayos IR, UV y visibles del sol que pueden penetrar a través de las nubes. Aunque la eficacia del panel solar disminuirá en condiciones nubladas, usted todavía podrá recolectar la energía valiosa del sol.

iv. **Manténgalos alejados de la sombra y las ventanas.** Aunque usted debe buscar la sombra en días soleados, sus paneles solares recogerán más energía cuando están completamente expuestos a la luz solar. Las ventanas también suelen disminuir la eficiencia. Por lo tanto, mantenga los paneles afuera y en la luz del sol.

v. **La alineación adecuada funciona mejor.** Mantener su panel solar orientado hacia el sol puede aumentar drásticamente la eficiencia solar. Instálelo y deje que la madre naturaleza haga el resto.

## Garantía y contacto

### **GARANTÍA LIMITADA**

Esta GARANTÍA LIMITADA de GOAL ZERO LLC ("GOAL ZERO") garantiza al comprador/consumidor original que este producto GOAL ZERO estará libre de defectos de mano de obra y materiales bajo el uso normal del consumidor durante el período de garantía aplicable identificado en el párrafo 2, a continuación, sujeto a las exclusiones establecidas en el párrafo 5, a continuación. Las disposiciones anteriores establecen la responsabilidad total de GOAL ZERO, y su recurso exclusivo, por cualquier incumplimiento de la garantía, expresa o implícita. GOAL ZERO no asumirá, ni autorizará a ninguna persona a asumir por él, ninguna otra responsabilidad en relación con las ventas de los productos GOAL ZERO.

### **PERÍODO DE GARANTÍA**

El período de garantía para las baterías GOAL ZERO de plomo y ácido (ya sea que se compren de forma independiente o como parte de otro producto) es de ciento ochenta (180) días.

El período de garantía para los productos Yeti basados en baterías de litio GOAL ZERO y los paneles solares Boulder es de dos (2) años.

El período de garantía para todos los demás productos y componentes de GOAL ZERO es de un (1) año a partir de la fecha de compra original por parte del consumidor original.

Se requiere un recibo de la compra original del consumidor u otra prueba documental razonable para establecer el inicio del período de garantía. Si completó el Formulario de registro en línea del producto GOAL ZERO dentro de los treinta (30) días posteriores a la compra de su producto, ese registro también puede establecer la fecha de inicio del período de garantía (pero la cobertura de la garantía no está condicionada a dicho registro).

### **REPARACIÓN**

GOAL ZERO, a su elección, (1) reparará el producto sin cargo, utilizando piezas de repuesto nuevas o reacondicionadas, o (2) intercambiará el producto con un producto que sea nuevo o que haya sido fabricado con piezas usadas nuevas o reparables y es, al menos funcionalmente, equivalente al producto original. Un producto / pieza de reemplazo asume la garantía restante del producto original o noventa (90) días a partir de la fecha de reemplazo o reparación, lo que proporcione una cobertura más larga para usted. Cuando se intercambia un producto o pieza, cualquier artículo de reemplazo se convierte en su propiedad y el artículo reemplazado se convierte en propiedad de GOAL ZERO.

### **LIMITADA AL COMPRADOR ORIGINAL**

Esta garantía no es transferible a ningún propietario posterior de un producto GOAL ZERO.

## EXCLUSIONES

Esta Garantía limitada se aplica solo a los productos de hardware fabricados por o para GOAL ZERO que pueden identificarse mediante la marca registrada, el nombre comercial o el logotipo de "GOAL ZERO". La Garantía limitada no se aplica a ningún producto que no sea GOAL ZERO, incluso si está empaquetado o vendido con productos GOAL ZERO. Los fabricantes o proveedores que no son GOAL ZERO pueden proporcionar sus propias garantías. Para los consumidores que se encuentran fuera de los 48 estados contiguos de EE. UU., se aplica un período de garantía de un (1) año para las estaciones de energía de litio y los paneles solares de Boulder. Las reclamaciones en centrales energéticas de litio y paneles Boulder de consumidores fuera de los 48 estados contiguos después del período de garantía de un (1) año, se manejarán caso por caso de conformidad con las normas regulatorias locales.

Esta garantía no se aplica a: (i) daños causados por accidente, abuso, mal uso, aplicación incorrecta o productos que no sean GOAL ZERO; (ii) a daños causados por el servicio realizado por alguien que no sea GOAL ZERO; (iii) a un producto o parte que ha sido modificado sin el permiso por escrito de GOAL ZERO; (iv) a un producto donde se haya eliminado o borrado cualquier número de serie de GOAL ZERO, o (v) a cualquier producto comprado a través de una casa de subastas en línea. Esta garantía limitada no se aplica a ninguna celda de batería o producto que contenga una celda de batería, a menos que usted haya cargado completamente la celda de batería dentro de los siete (7) días posteriores a la compra del producto y, al menos una vez cada 6 meses a partir de entonces.

ESTA GARANTÍA Y RECURSOS ESTABLECIDOS ANTERIORMENTE SON EXCLUSIVOS Y SUSTITUYEN TODAS LAS OTRAS GARANTÍAS, RECURSOS Y CONDICIONES, SEAN ORALES O ESCRITAS, EXPRESAS O IMPLÍCITAS. GOAL ZERO RENUNCIA ESPECÍFICAMENTE A CUALQUIERA Y TODAS LAS GARANTÍAS IMPLÍCITAS, INCLUIDAS, SIN LIMITACIÓN, LAS GARANTÍAS PARA COMERCIAR Y LA ADECUACIÓN PARA UN PROPÓSITO EN PARTICULAR. SI GOAL ZERO NO PUEDE RENUNCIAR LEGALMENTE A LAS GARANTÍAS IMPLÍCITAS BAJO ESTA GARANTÍA LIMITADA, TODAS LAS GARANTÍAS, INCLUIDAS LAS GARANTÍAS PARA COMERCIAR Y LA ADECUACIÓN PARA UN PROPÓSITO EN PARTICULAR, ESTÁN LIMITADAS EN DURACIÓN A LA DURACIÓN DE ESTA GARANTÍA. Ningún revendedor, agente o empleado de GOAL ZERO está autorizado a realizar modificaciones, extensiones o adiciones a esta garantía. EN NINGÚN CASO, GOAL ZERO SERÁ RESPONSABLE POR CUALQUIER DAÑO DIRECTO, ESPECIAL, CONSECUENTE O INCIDENTAL DERIVADO DE CUALQUIER USO O MAL FUNCIONAMIENTO DE CUALQUIER PRODUCTO DE GOAL ZERO, O DE CUALQUIER INCUMPLIMIENTO DE GARANTÍA, INCLUYENDO DAÑO A OTROS DISPOSITIVOS. EN NINGÚN CASO OBJETIVO LA RESPONSABILIDAD DE GOAL ZERO POR CUALQUIER RECLAMACIÓN, YA SEA POR CONTRATO, GARANTÍA, DAÑO (INCLUYENDO NEGLIGENCIA Y RESPONSABILIDAD ESTRUCTA), O BAJO CUALQUIER OTRA TEORÍA DE RESPONSABILIDAD, EXCEDE LA CANTIDAD PAGADA POR USTED POR EL PRODUCTO GOAL ZERO. Algunos estados no permiten limitaciones sobre la duración de una garantía implícita, por lo que la limitación anterior puede no aplicarse en su caso. Esta garantía le otorga derechos legales específicos, y también puede tener otros derechos que varían de estado a estado.

## OBTENCIÓN DEL SERVICIO DE GARANTÍA

Para obtener el servicio de garantía, debe comunicarse con nuestro equipo de servicio al cliente por teléfono al (888) 794-6250, o por correo electrónico a [support@goalzero.com](mailto:support@goalzero.com). Si nuestro equipo de servicio al cliente determina que este es un asunto de garantía, le darán un número de Autorización de Devolución de Material ("RMA"). Debe empaquetar adecuadamente el producto, marcando claramente el número de RMA en el paquete e incluyendo comprobante de su fecha de compra con el producto. Luego debe enviar el producto por correo postal o mensajería, con los costos de envío pagados por usted, a GOAL ZERO al 675 West 14600 South, Bluffdale, Utah, EE.UU. 84065. Procesaremos su devolución y le enviaremos su producto reparado o de reemplazo a nuestro cargo por el producto que se envía a ubicaciones en América del Norte. Para productos comprados o enviados fuera de Norteamérica, comuníquese con el distribuidor local a quien compró el producto o envíe un correo electrónico a [support@goalzero.com](mailto:support@goalzero.com) para obtener más información sobre el distribuidor.





## CARICAMI ORA



Prima di utilizzarlo o conservarlo, inserisci la spina di Goal Zero Yeti nella presa a muro fino a quando non è completamente carico. Mantieni Goal Zero Yeti collegato quando non lo utilizzi, per assicurarti che sia sempre pronto. Ciò NON causerà danni alla batteria. Per ulteriori suggerimenti e trucchi su come mantenere la batteria efficiente, consultare la sezione BATTERIE 101.



## IMPORTANTI ISTRUZIONI DI SICUREZZA



Leggere attentamente tutte le istruzioni e le precauzioni prima dell'uso, in modo da evitare lesioni personali o danni all'unità e ai prodotti collegati

**Osservare tutte le classificazioni dei connettori di ingresso/uscita:** per evitare il rischio di incendi o scosse elettriche, osservare tutte le classificazioni sull'unità e sui prodotti che si intende utilizzare; consultare i manuali per ulteriori informazioni.

**Uso in un'area ventilata:** garantire una corretta ventilazione durante l'uso e non ostruire le aperture della ventola sull'unità. Una ventilazione inadeguata può causare danni all'unità. Non impilare nulla sopra l'unità in deposito o in uso.

**Gli alimentatori si surriscaldano durante l'uso:** mantenere l'alimentatore Yeti in un'area asciutta e ben ventilata durante l'uso. Non tenere l'alimentatore sotto il coperchio durante l'uso.

**NON operare in condizioni di bagnato:** per evitare cortocircuiti o scosse elettriche, non permettere che l'unità si bagni. Lasciare asciugare completamente l'unità prima dell'uso.

**Mantenere l'unità pulita e asciutta:** ispezionare regolarmente l'unità per rimuovere eventuale sporcizia, polvere o umidità.

**Pericolo di scossa o incendio:**L'unitàYeti genera la stessa alimentazione CA potenzialmente letale di una normale presa a muro domestica. Si prega di usarlo con cautela, proprio come se si usasse una normale presa CA a muro.

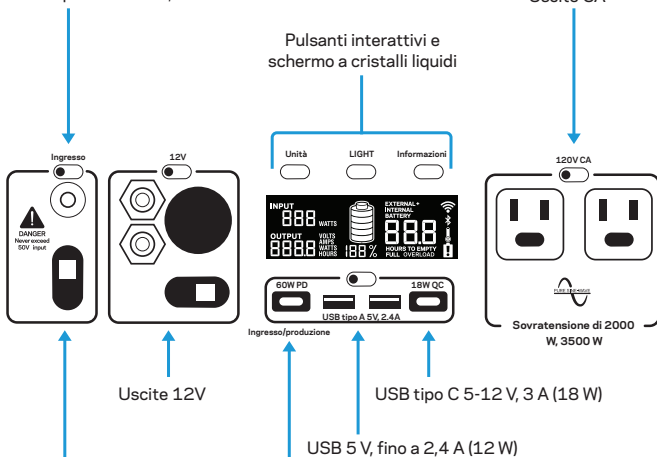
**NON** inserire oggetti estranei nelle uscite o nei fori di ventilazione.

**NON** manomettere o tentare di sostituire la batteria. Per informazioni su una batteria sostitutiva, contattare il centro soluzioni Goal Zero.

**Qualsiasi manipolazione dell'unità o dei suoi componenti annullerà tutte le garanzie.**

## Conoscere l'apparecchiatura

Ingresso da 8 mm per la ricarica di Goal Zero da pannelli solari, o CA.



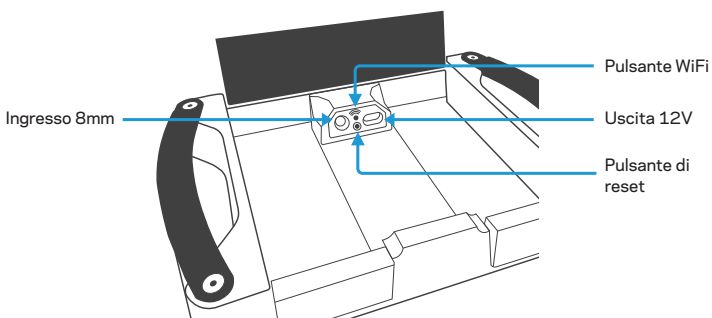
Ingresso Anderson Power Pole per la ricarica di Goal Zero con pannelli solari, o CA.

Alimentazione in ingresso/uscita USB di tipo C 5-20V, fino a 3A (60W)

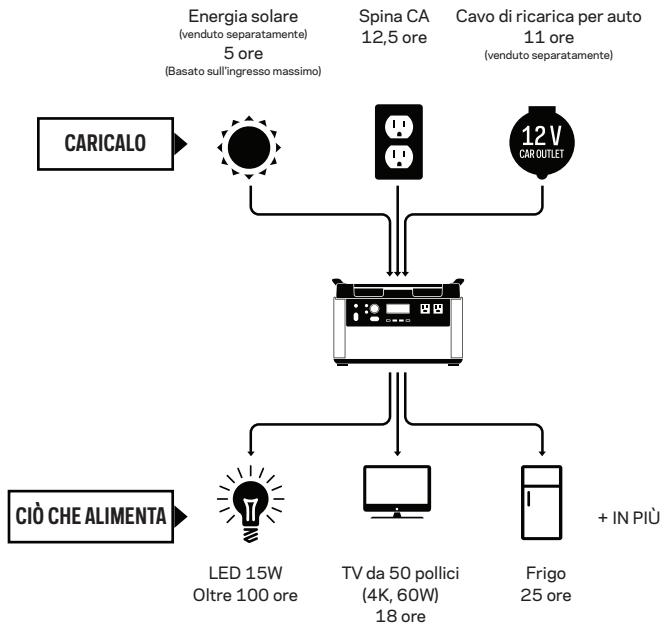
### Pulsanti sotto il coperchio

Premendo il pulsante WiFi, si attiverà il WiFi di Yeti per la connessione a un dispositivo. Per informazioni sul collegamento del dispositivo all'unità Yeti, consultare la Guida all'avvio nell'app Yeti inclusa. Inoltre, tenendo premuto il pulsante WiFi si alternano le modalità di accoppiamento e connessione.

Tenendo premuto, verrà eseguito un ripristino del software (non esegue un ripristino delle impostazioni di fabbrica e non reimposta i wattora). È necessario tenere premuto il pulsante Unità per azzerare il contatore dei wattora.



## Come funziona



## Ricarica di Goal Zero Yeti

**CARICAMI ORA:** prima di utilizzare o conservare, collega Goal Zero Yeti alla presa al muro finché non è completamente carico. Mantieni Goal Zero Yeti collegato quando non lo utilizzi, per assicurarti che sia sempre pronto. Ciò NON causerà danni alla batteria. Per ulteriori suggerimenti e trucchi su come mantenere la batteria efficiente, consultare la sezione BATTERIE 101.

Durante la ricarica di Goal Zero Yeti, noterai un segmento di batteria lampeggiante sul display. Ciò indica l'attuale stato di carica. Una volta che Goal Zero Yeti è completamente carico, tutti i segmenti della batteria si accenderanno e rimarranno fissi. Fino a quando non vi è più energia in entrata, rispetto a quella che viene estratta dalle porte di uscita, il display indicherà anche il tempo fino al completo caricamento. Il tempo stimato è basato sui numeri di potenza in ingresso e in uscita in quel momento; si adatterà gradualmente a un periodo di tempo più o meno lungo, man mano che le tariffe medie di carica o scarica oscillano.

### Carica dalla presa a muro

Utilizzando il caricabatterie a muro CA da 120 W incluso, collega Goal Zero Yeti a qualsiasi presa a muro. Vedrai che l'obiettivo zero Yeti si sta caricando quando si accende la luce a LED blu accanto alla porta d'INGRESSO, e i segmenti della batteria nel DISPLAY DELLA BATTERIA lampeggiano. Goal Zero Yeti è completamente carico quando tutti i segmenti della batteria smettono di lampeggiare e rimangono fissi. Goal Yeti Zero dovrebbe ricaricarsi dalla presa a muro in circa 1.3 ore.

1. L'adattatore a muro CA è disponibile in due parti. Collegare le due parti inserendo il cavo nella scatola.
2. Il caricabatterie a muro CA da 120 W, con connettore a botte CC da 8 mm, può

**NOTA:** per caricare dall'uscita 12V del tuo veicolo, utilizzare il nostro cavo di ricarica 12V per auto SKU 98079.

essere inserito nella parte anteriore della batteria Yeti, o sotto il coperchio.

3. È possibile utilizzare un solo caricatore a muro alla volta. Se si desidera caricare l'unità Yeti più velocemente, chiamare il nostro centro soluzioni o consultare le nostre opzioni di ricarica rapida su [goalzero.com](http://goalzero.com).

#### Ricaricare con energia solare

**NOTA IMPORTANTE: durante la ricarica solare di Goal Zero Yeti, prendi nota delle tensioni dei pannelli solari e non superare i 50 V. I pannelli solari singoli, o quelli concatenati in serie superiori a 50 V, non possono essere utilizzati con Goal Zero Yeti, e sono in grado di causare gravi danni all'unità. Per assistenza sul concatenamento di pannelli solari, chiamare il nostro Centro soluzioni clienti al numero 8887946250.**

Esistono tre diversi ingressi che è possibile utilizzare quando si carica Goal Zero Yeti con energia solare, due dei quali si trovano nell'area "INPUT" sul lato sinistro della placca, mentre un terzo è situato all'interno del vano portaoggetti, sotto la parte superiore del coperchio. Una delle porte anteriori, e la porta all'interno del vano portaoggetti, sono di forma rotonda, da 8 mm, e progettate per essere utilizzate con i pannelli solari Goal Zero, oppure con il caricatore a muro. Ogni porta di ingresso da 8 mm può gestire fino a 120 W. La porta Anderson Power Pole è progettata per essere utilizzata con pannelli solari di potenza maggiore o superiore, e può gestire 600 W di potenza, ovvero la capacità totale di alimentazione su tutte le porte di ingresso.

1. Posizionare il pannello solare dove otterrà la massima luce solare diretta possibile.
2. Inserire la spina del pannello solare con anello blu in una delle porte INPUT, sulla parte anteriore di Goal Zero Yeti o nel vano portaoggetti, sotto il coperchio superiore. Vedrai che Goal Zero Yeti si sta caricando quando si accende la luce LED blu accanto alla porta INPUT, e i segmenti della batteria nel DISPLAY BATTERIA lampeggiano. Goal Zero Yeti è completamente carico quando tutti i segmenti della batteria smettono di lampeggiare e rimangono fissi.
3. È possibile collegare Goal Zero Yeti anche ai pannelli solari, utilizzando la porta

Anderson Power-Pole e l'adattatore appropriato (se necessario), accanto alla porta di ricarica da 8 mm.

4. È possibile concatenare più pannelli solari Goal Zero insieme per ridurre i tempi di ricarica solare. Goal Zero Yeti è in grado di assorbire 120 W di ingresso attraverso le porte da 8 mm, e non più di 600 W di energia solare attraverso la porta APP.

**NOTA:** se si stanno inserendo pannelli solari in più porte, è possibile combinare gli ingressi solo se i pannelli utilizzati hanno la stessa tensione. I pannelli che emettono tensioni diverse non saranno in grado di combinarsi per mezzo di porte diverse. Se si utilizzano pannelli con tensioni diverse in due o più porte di ingresso, l'unità Yeti selezionerà l'ingresso solare maggiore disponibile. Inoltre, non sarà possibile combinare gli ingressi solari con quelli per la CA. Se stai inserendo sia un pannello solare che una presa a muro, Yeti selezionerà il maggiore dei due ingressi.



## Uso di Goal Zero Yeti

### Come utilizzare Goal Zero Yeti

1. Premere il pulsante di accensione situato sopra ogni porta che verrà utilizzata. \*\*  
Quando non si utilizzano determinate porte, assicurarsi di spegnerle per risparmiare energia.
2. Si vedrà che la porta è accesa quando la luce LED bianca sul pulsante è illuminata.
3. Collega l'apparecchiatura all'alimentazione, ovunque la vita ti porti.
4. Se possibile, mantenere Goal Zero Yeti collegato a una fonte di alimentazione quando non in uso.
5. È possibile caricare Goal Zero Yeti e gestire l'apparecchiatura allo stesso tempo.

### Strategia di utilizzo ottimale:

Quando si carica l'apparecchiatura con Goal Zero Yeti, prendere nota del DISPLAY DELLA BATTERIA. Se si collegano dispositivi con un elevato fabbisogno di energia (ad es. un grande frigorifero), il livello di carica di Goal Zero Yeti è in grado di diminuire molto rapidamente, e si potrebbero non ottenere esattamente i 1500 Wh di capacità. Inoltre, soprattutto quando si utilizza l'uscita di alimentazione CA, Goal Zero Yeti convertirà l'energia dalla potenza CC della batteria alla potenza CA necessaria al dispositivo. Sebbene Goal Zero Yeti abbia un inverter

altamente efficiente, una piccola quantità di energia viene dispersa durante la conversione, e non sarà possibile ottenere la piena capacità nominale della batteria. Se si verificano runtime più brevi, è possibile che si desideri verificare i requisiti di alimentazione del dispositivo: per assistenza, consultare la sezione RISOLUZIONE DEI PROBLEMI.

### Utilizzo nella stagione fredda:

Le basse temperature (sotto lo zero) possono influire sulla capacità della batteria Goal Zero Yeti. Se si rimane fuori dalla rete in condizioni inferiori allo zero, consigliamo di mantenere Goal Zero Yeti in un dispositivo di raffreddamento isolato, collegato a una fonte di alimentazione (pannelli solari), e di caricare l'apparecchiatura. Il calore naturale generato da Goal Zero Yeti, contenuto in un dispositivo di raffreddamento isolato, manterrà la capacità della batteria al massimo. Yeti non consentirà la ricarica sotto lo zero per ragioni di sicurezza. L'unità avvertirà di visualizzare un allarme sul display LCD all'avvicinarsi a questa fonte

### Display a cristalli liquidi

Il display LCD incorporato indica quattro cose importanti:



1. INPUT mostra la quantità di energia (watt) che entra in Goal Zero Yeti durante la ricarica. Ricaricando con energia solare, si vedrà che i watt cambiano quando i pannelli vengono riposizionati alla/fuori dalla luce del sole.
2. OUTPUT mostra la quantità di energia (watt) utilizzata dai dispositivi mentre sono collegati a Goal Zero Yeti.
3. TIME TO EMPTY/FULL mostra il tempo che deve trascorrere prima che Goal Zero Yeti sia completamente carico o scarico, a seconda che la quantità netta di energia che entra nell'apparecchiatura sia positiva o negativa.
4. BATTERY LEVEL mostra 5 segmenti, approssimativamente 20% - 40% - 60% - 80% - 100% della capacità. Mentre si utilizza Goal Zero Yeti, i segmenti scompaiono dal display, indicando la carica rimanente. Durante la ricarica di Goal Zero Yeti si nota che un segmento di batteria lampeggia. Ciò indica l'attuale stato di carica. Una volta che Goal Zero Yeti è completamente carico, tutti i segmenti della batteria si accenderanno e rimarranno fissi. Fino a quando non vi è più energia in entrata nella batteria Goal Zero Yeti, rispetto a quella che viene estratta dalle porte di uscita, il display indicherà anche il tempo fino al completo caricamento. Il tempo stimato è basato sui numeri di potenza in ingresso e in uscita in quel momento; si adatterà a un tempo più o meno lungo se le

velocità di carica o scarica oscillano. Si noti che quando si collega per la prima volta una fonte di alimentazione, che si tratti di un pannello solare o di un caricabatterie a muro, l'unità Yeti potrebbe impiegare un minuto per rilevare e regolare i suoi circuiti di carica prima che inizi a consumare energia dalla fonte.

5. Il simbolo WiFi indica che il WiFi di Yeti è attivato. Se lampeggia, l'unità Yeti è pronta per la connessione a un dispositivo.

#### **Pulsanti frontali:**

Premere il pulsante LIGHT per accendere e spegnere la retroilluminazione del display.

Premere il pulsante UNIT per scorrere tra le diverse impostazioni di uscita e consumo energetico. Tenere premuto units + info per eseguire il ripristino delle impostazioni di fabbrica. Questa operazione cancella le informazioni e le configurazioni wifi. Tenere le unità per azzerare il contatore di watt-ora.

Premendo il pulsante INFO si alternerà la schermata che mostra lo stato dettagliato della percentuale di carica della batteria e il tempo di scarica/ricarica.

## **Conservazione e manutenzione nei periodi di inattività**

Tra un'avventura e l'altra, avere Goal Zero Yeti collegato a una fonte di alimentazione, come un pannello solare o una presa a muro, oppure mentre è in deposito, mantiene la batteria efficiente e ricaricata. Ciò prolunga la durata della batteria e assicurerà che Goal Zero Yeti sia carico e pronto per essere utilizzato tutto il giorno, tutti i giorni.

**Se non riesci a mantenere Goal Zero Yeti collegato a una fonte di alimentazione durante lo stoccaggio, carica completamente la batteria ogni 3 mesi, conservandola in un luogo fresco e asciutto. Se l'unità Yeti non viene utilizzata da diversi mesi, potrebbero essere necessari diversi cicli di ricarica per ripristinare risultati accurati sulla percentuale della batteria, e sui valori di tempo rimanente sullo schermo. Il mancato rispetto di questi passaggi può provocare danni alla batteria che invalideranno la garanzia del prodotto.**

## Specifiche tecniche

### Tempi di ricarica:

Caricatore a muro (120 W)	13 ore
Caricabatteria per auto (120 W)	13 ore
Goal Zero Boulder 50	48-60 ore
Goal Zero Boulder 100	24-30 ore
Valigetta Goal Zero Boulder 200	12-15 ore

### Accumulatore:

chimica delle celle	agli ioni di litio NMC (nicel, manganese, cobalto, N.d.T.)
Capacità del pacco batteria	1516 Wh (10.8V, 140,4 Ah)
Capacità equivalente di una singola cella	421Ah a 3,6V
Cicli vitali	500 cicli all'80% della capacità (velocità di scarica: 1 °C, carica/scarica completa, temperatura: 25 °C)
Durata di conservazione (dalla produzione alla vendita)	Ricarica ogni 3-6 mesi
Sistema di gestione	Regolatore di carica MPPT (Inseguitore del punto di massima potenza)

### Porte:

Porta USB-A (uscita)	5 V, fino a 2,4 A (12 W max), regolato
Porta USB-B (uscita)	5-12V, fino a 3,0 A (18 W max), regolato
Porta USB-PD (uscita)	5-20 V, fino a 3,0 A (60 W max), regolato
Porta 6mm (uscita, 6mm)	12V, fino a 10A (120W max), regolato
Porta per auto 12V (uscita)	12V, fino a 13A (160W max), regolato
Porta Power Pole 12V (uscita)	12V, fino a 30A (360W max), regolato
Inverter 120 V CA (uscita, onda sinusoidale pura)	120 V CA 60 Hz, 16,5 A (Sovrattensione di 2000 W, 3500 W)
Inverter 230 V CA (uscita, onda sinusoidale pura) SPINE CA UNIVERSAL O AUSTRALIA (TIPO 1)	230 V CA 50 Hz, 8,5 A (sovrattensione di 2000 W, 3500 W)
Porta di ricarica (ingresso, 8 mm)	14-50 V, fino a 10 A (120 W max)
Porta di ricarica Power Pole (ingresso)	14-50 V, fino a 50 A (600 W max)
Porta del modulo di espansione	Porta nascosta sotto il coperchio. Da utilizzare solo con i moduli di espansione Goal Zero.

## Specifiche tecniche

### WiFi

Certificazione per radiofrequenza	Protocolli
FCC/CE/IC/TELEC/KCC/SRRC/NCC	802.11 b/g/n (802,11n fino a 150 Mbps)
Gamma delle frequenze	2,4-2,5 GHz

### Bluetooth:

FCC/CE/IC/TELEC/KCC/SRRC/NCC	Bluetooth a basso consumo energetico
------------------------------	--------------------------------------

### Generale:

Peso	45,64 libbre (20,7 kg)
Dimensioni	15.25 x 10.23 x 10.37 pollici (38.74 x 25.98 x 34.54 cm)
Temperatura operativa di esercizio	32-104 °F (0-40 °C)
Certificati	
Garanzia	24 mesi

## Domande frequenti

### **Che tipo di batteria è presente all'interno di Goal Zero Yeti?**

Goal Zero Yeti utilizza un sistema agli ioni di litio progettato su misura. Ecco alcune informazioni di base sulle batterie agli ioni di litio:

1. Le batterie agli ioni di litio possono immagazzinare e rilasciare molta energia in un breve periodo di tempo. Le batterie dell'apparecchio Goal Zero Yeti sono alloggiare in una custodia protettiva, con un sofisticato sistema di gestione e protezione delle batterie che controlla i suoi terminali verso l'ambiente esterno.
2. È fondamentale che la batteria non si bagni, poiché umidità e acqua possono penetrare nelle sue celle, dietro i circuiti di protezione, e bypassare tale protezione.

### **Come faccio a sapere se Goal Zero Yeti è carico?**

Per verificare il livello di carica di Goal Zero Yeti, fai riferimento al display della batteria. Una volta acceso, vedrai un profilo della batteria con 5 segmenti, che indica il livello di carica corrente. È possibile utilizzare Goal Zero Yeti anche quando non è completamente carico.

### **Come faccio a sapere se il mio dispositivo funzionerà con Goal Zero Yeti?**

Innanzitutto, dovrai determinare la quantità di energia richiesta dal tuo dispositivo. Ciò potrebbe richiedere alcune ricerche: una buona ricerca su Internet, o l'esame della guida utente per il dispositivo dovrebbe essere sufficiente.

In secondo luogo, sarà necessario verificare la capacità delle singole porte di uscita. Ad esempio, la porta AC di Goal Zero Yeti è alimentata da un inverter che consente 2000 W di potenza. Ciò significa che se il dispositivo sta consumando più di 2000 W per un periodo di tempo prolungato, l'inverter Goal Zero Yeti si spegnerà. Un altro numero da tenere d'occhio è la sovratensione del dispositivo rispetto a quella della porta. L'inverter Goal Zero Yeti ha un avanzato sistema di gestione delle sovratensioni che massimizzerà la sua compatibilità con vari dispositivi, ma ci saranno ancora elementi

che aumenteranno a un ritmo più elevato, e per un tempo più lungo di quello che Goal Zero Yeti può gestire, rispetto a quello previsto nel caso in cui la porta si spenga automaticamente.

Infine, una volta che sai che il tuo dispositivo è compatibile, vorrai determinare per quanto tempo sarai in grado di alimentare l'apparecchiatura da Goal Zero Yeti. Ecco una lezione spicciola sull'alimentazione.

Tutti i power bank e le centrali elettriche portatili GOAL ZERO hanno un numero a loro nome, ad es. Ricarica Guide10 Plus, Goal Zero Yeti 1500X. Questi numeri si riferiscono alle watt ore (Wh), o alla quantità di energia che può essere immagazzinata in ciascun caricabatterie, e al modo in cui saprai se l'apparecchiatura è compatibile o meno con ciascun caricatore. Ad esempio, una centrale elettrica da 200 Wh deve far funzionare una luce da 100 W per 2 ore ( $200/100 = 2$ ). Se l'apparecchiatura rientra nella capacità di 1500 Wh di Goal Zero Yeti, consigliamo di verificare le restrizioni su ciascuna delle porte di uscita.

Un altro fattore matematico è la quantità di energia che viene convertita dalla batteria Goal Zero Yeti al dispositivo che stai alimentando/caricando. In determinate condizioni, come nel caso in cui si utilizza un dispositivo a 12 V, come il LAL 350, direttamente dalla porta a 12 V, non ci sarà alcuna conversione e quindi nessuna perdita aggiuntiva. Quando si utilizzano le porte USB per caricare un telefono, si aggiunge uno strato di conversione (la batteria da 12 V di Goal Zero Yeti viene convertita in un'uscita USB da 5 V), che introduce circa il 10% delle perdite. Quando si utilizza l'inverter, esistono due livelli di conversione (da 12V ad alta tensione, da CC ad AC). Il modo meno efficiente di utilizzare la batteria di Goal Zero Yeti è quello di usare un adattatore CA-CC fuori dalle porte CA, come nel caso in cui si utilizzi un caricabatterie a muro per caricare il telefono, poiché aggiunge un ulteriore livello di conversione nell'adattatore a muro.

Pertanto, quando decidi cosa alimentare dal nuovo caricatore GOAL ZERO, fai qualche ricerca sul consumo di watt del tuo dispositivo. Per suggerimenti e strumenti di apprendimento più rapidi, consulta [www.GoalZero.com/learn.html](http://www.GoalZero.com/learn.html)

## Risoluzione dei problemi

Se i dispositivi non si ricaricano da Goal Zero Yeti, procedere nel seguente modo:

1. Assicurarsi che la porta di uscita sia stata attivata. La luce LED bianca sul pulsante di accensione dovrebbe essere accesa.

a. Se una delle luci è diventata rossa, questo indica un passo falso. Premere di nuovo il pulsante per ripristinarlo. La luce diventerà bianca quando viene ripristinata correttamente.

2. Controllare il display della batteria. Se è pari o inferiore al 20%, caricare Goal Zero Yeti.

3. Controllare il display LCD per le icone di avvertimento:

**SOVRACCARICO:** l'assorbimento di potenza supera la tolleranza massima della porta. Indicato da una luce rossa nel pulsante della porta.



Allarme per alta temperatura. Lasciare raffreddare l'unità.



La batteria richiede attenzione. Contattare l'assistenza clienti. 1 8887946250

4. Verificare che il dispositivo sia adatto ad essere utilizzato con Goal Zero Yeti:

a. Tutte le porte di uscita Goal Zero Yeti hanno la propria capacità di potenza massima. Controllare le specifiche tecniche di Goal Zero Yeti per assicurarsi che il dispositivo sia compatibile.

5. Se si continua a riscontrare dei problemi con Goal Zero Yeti Zero, chiamare il nostro Centro soluzioni clienti al numero 1-888-794-6250 o via e-mail all'indirizzo [support@goalzero.com](mailto:support@goalzero.com).

**Se si riscontrano problemi con la connessione WiFi:**

1. Tenere premuto il pulsante WiFi per circa 3 secondi per forzare l'unità Yeti in modalità di connessione. Il simbolo WiFi sullo schermo inizierà a lampeggiare.

2. Ricollegare il dispositivo all'unità Yeti seguendo le istruzioni nell'app Goal Zero Yeti.



## Istruzioni

**BATTERIE 101:** GOAL ZERO utilizza l'ultima e la più grande tecnologia delle batterie per accompagnarti in tutte le avventure di vita. Dal versatile e leggero accumulatore agli ioni di litio, al robusto e potente acido al piombo, abbiamo raccolto alcuni utili suggerimenti per far funzionare al meglio le tue batterie GOAL ZERO.

### **i. Le batterie hanno bisogno di esercizio.**

La cosa migliore per qualsiasi batteria è di utilizzarla. Non lasciare la batteria in funzione senza essere caricata per lunghi periodi di tempo. Se Goal Zero Yeti verrà conservato senza caricabatterie, assicurarsi che sia completamente carico prima di riporlo.

### **ii. Il mito della "memoria della batteria".**

Grazie alle vecchie batterie al nichel-cadmio (NiCd), c'è un mito in circolazione in base al quale le batterie dovrebbero essere completamente scaricate, prima di collegarle per una ricarica, chiamato "deep cycle" (ciclo profondo, N.d.T.). Sebbene sia vero per le batterie NiCd, le tipiche batterie che si trovano oggi nella maggior parte delle apparecchiature, comprese le batterie al litio e quelle al piombo-acido avanzate, utilizzate nei caricabatterie GOAL ZERO, non richiedono tale scarico. In effetti, il deep cycle delle batterie dovrebbe essere evitato: nella maggior parte dei casi, fa più male che bene.

### **iii. L'"effetto stadio".**

L'effetto stadio si verifica durante la ricarica delle batterie. Si nota che la batteria si riempie rapidamente all'inizio, quindi rallenta notevolmente quando si prova a caricare le ultime percentuali. Si pensi a quanto velocemente uno stadio si riempie quando le porte si aprono per la prima volta: ci sono centinaia di posti disponibili, quindi è facile trovare quello che si desidera. Alla fine ci sono solo pochi posti non ancora occupati, qua e là, e le persone devono girare un po' per trovare il posto che vogliono, e riempire gli ultimi posti richiede più tempo. La stessa teoria si applica alla ricarica delle batterie. È facile che all'inizio l'energia fluisca dentro e occupi spazio vuoto, e man mano che il tempo passa, e c'è meno spazio disponibile, ci vuole più tempo per riempire i buchi di energia.

#### iv. Leggere il manuale.

Sì, potrebbe essere una lettura lunga e impegnativa, ma il manuale è il "luogo" ideale dove vedere quali sono le cose da fare e quelle da non fare per quanto riguarda la batteria del tuo specifico dispositivo. La lettura del manuale garantirà che si stanno prendendo i giusti provvedimenti per mantenere le batterie in condizioni efficienti.

**SOLAR 101:** GOAL ZERO semplifica la ricarica dell'apparecchiatura con il sole: non abbiamo inventato l'energia solare, l'abbiamo perfezionata. Alcune cose da tenere a mente quando si ricarica l'apparecchiatura con energia solare:

#### i. I pannelli solari non accumulano energia dal sole, la raccolgono.

Ti insegniamo a RACCOGLIERE - IMMAGAZZINARE - UTILIZZARE, che è il modo migliore per utilizzare l'energia solare per ricaricare le apparecchiature. RACCOGLIERE l'energia del sole con un pannello solare. IMMAGAZZINARE l'energia in un caricatore. UTILIZZARE il caricabatterie per alimentare l'apparecchiatura, di giorno o di notte. Se sei davvero un irriducibile, puoi collegare l'apparecchiatura direttamente nella scatola di giunzione situata sul retro dei nostri pannelli solari NOMAD per ricaricare dal sole.

#### ii. Non tutti i tempi di ricarica solare sono uguali.

La maggior parte dei produttori di pannelli solari calcola i suoi tempi di ricarica con la seguente equazione: watt ore dispositivo/watt pannello solare = Tempi di ricarica solare. Quindi, in teoria, un pannello solare da 13 watt ricaricherebbe un caricabatterie da 50 watt in 3,84 ore ( $50/13 = 3,84$ ): e questo è il numero che potresti trovare nel materiale promozionale per un pannello solare. Tuttavia, al fine di standardizzare i risultati per tutti i produttori, questi test vengono completati in ambienti di laboratorio. La verità è che in una giornata ben soleggiata, riceverai circa il 50-75% della potenza nominale del tuo pannello solare, ed è così che gli ingegneri di GOAL ZERO calcolano i tempi di ricarica solare che vedi sul nostro imballaggio.

#### iii. Il solare funziona anche in condizioni di cielo coperto.

I pannelli solari utilizzano raggi infrarossi, ultravioletti e visibili del sole, che riescono a penetrare attraverso le nuvole. Anche se l'efficienza del pannello solare diminuirà in condizioni di cielo nuvoloso, continuerai a raccogliere energia preziosa dal sole.

**iv. Tenere lontano da ombra e finestre.**

Anche se dovessi cercare l'ombra nei giorni di sole, i pannelli solari acquisiranno più energia quando saranno completamente esposti alla luce solare. Anche le finestre hanno la caratteristica di diminuire l'efficienza. Quindi esponi i pannelli all'esterno, e alla luce del sole.

**v. Il corretto allineamento fa miracoli:**

mantenere il pannello solare inclinato verso il sole può aumentare notevolmente l'efficienza solare. Preparalo e lascia che Madre Natura faccia il resto.

## Garanzia e contatti

### **GARANZIA LIMITATA**

La presente GARANZIA LIMITATA di GOAL ZERO LLC ("GOAL ZERO") garantisce al consumatore acquirente originale che questo prodotto GOAL ZERO sarà privo di difetti di fabbricazione, garantendo inoltre il materiale in normali condizioni d'uso da parte del consumatore durante il periodo di garanzia applicabile, identificato al successivo paragrafo 2, soggetto alle esclusioni di cui al successivo paragrafo 5. Le precedenti disposizioni indicano l'intera responsabilità di GOAL ZERO e il tuo rimedio esclusivo per qualsiasi violazione della garanzia, espressa o implicita. GOAL ZERO non si assume, né autorizza alcuna persona ad assumersi, qualsiasi altra responsabilità in relazione alle vendite dei prodotti GOAL ZERO.

### **PERIODO DI GARANZIA**

Il periodo di garanzia per le batterie al piombo-acido GOAL ZERO (acquistate singolarmente, o come parte di un altro prodotto) è di centottanta (180) giorni.

Il periodo di garanzia, per i prodotti Yeti che utilizzano batterie al litio GOAL ZERO e per i pannelli solari Boulder, è di due (2) anni.

Il periodo di garanzia per tutti gli altri prodotti e componenti GOAL ZERO è di un (1) anno dalla data di acquisto da parte dell'acquirente originario.

Per stabilire l'inizio del periodo di garanzia è necessaria una ricevuta di vendita dall'acquisto dell'acquirente originario, o altra ragionevole prova documentale. Se hai completato il modulo di registrazione del prodotto GOAL ZERO online entro trenta (30) giorni dall'acquisto del prodotto, tale registrazione può anche stabilire la data di inizio del periodo di garanzia (ma la copertura della garanzia non è condizionata da tale registrazione).

### **RIMEDIO**

GOAL ZERO riparerà gratuitamente, a sua discrezione, (1) il prodotto, utilizzando parti di ricambio nuove o ricondizionate, oppure (2) sostituirà il prodotto con uno nuovo o fabbricato con parti usate nuove o riparabili, e nelle sue funzioni equivalente almeno al prodotto originale. Un prodotto/parte sostitutivo/a si assume la garanzia rimanente del prodotto originale o a novanta (90) giorni dalla data di sostituzione o riparazione, a seconda di quale garanzia offre una copertura più lunga per l'utente. Quando un prodotto o una parte viene cambiata, qualsiasi articolo sostitutivo diventa di tua proprietà, e l'articolo sostituito diventa di proprietà di GOAL ZERO.

### **LIMITATO AL CONSUMATORE ACQUIRENTE ORIGINALE**

Questa garanzia non è trasferibile a nessun proprietario successivo di un prodotto GOAL ZERO.

## **ESCLUSIONI**

La presente Garanzia limitata si applica solo ai prodotti hardware fabbricati da o per GOAL ZERO, che possono essere identificati dal marchio "GOAL ZERO", dal nome commerciale o dal logo apposto su di essi. La garanzia limitata non si applica ai prodotti non GOAL ZERO, anche se confezionati o venduti con prodotti GOAL ZERO. I produttori, o i fornitori non GOAL ZERO, possono offrire le proprie garanzie. Per i consumatori al di fuori dei 48 stati contigui degli Stati Uniti, viene applicato un periodo di garanzia di un (1) anno per le centrali elettriche al litio e i pannelli solari Boulder. I reclami che riguardano i power station al litio e i pannelli Boulder, da parte di consumatori al di fuori dei 48 stati contigui dopo il periodo di garanzia di un (1) anno, saranno gestiti caso per caso, in conformità con gli standard normativi locali.

La presente garanzia non si applica a: (i) danni causati da incidenti, abuso, uso improprio, errata applicazione o prodotti non GOAL ZERO; (ii) ai danni causati dal servizio eseguito da soggetti diversi da GOAL ZERO; (iii) a un prodotto o una parte che è stata modificata senza l'autorizzazione scritta di GOAL ZERO; (iv) a un prodotto in cui un numero di serie GOAL ZERO è stato rimosso o cancellato, oppure (v) a qualsiasi prodotto acquistato tramite una casa d'aste online. La presente garanzia limitata non si applica a nessuna cella o prodotto contenente una cella a meno che la cella della batteria non sia stata completamente caricata dall'utente entro sette (7) giorni dall'acquisto del prodotto e almeno una volta ogni 6 mesi in seguito.

QUESTA GARANZIA, E I RIMEDI DI CUI SOPRA, SONO ESCLUSIVI E IN SOSTITUZIONE DI TUTTE LE ALTRE GARANZIE, RIMEDI E CONDIZIONI, SE ORALI O SCRITTI, ESPRESSI O IMPLICITI. GOAL ZERO ESCLUDE IN MODO SPECIFICO OGNI E QUALSIASI GARANZIA IMPLICITA, COMPRESA, SENZA LIMITAZIONE, GARANZIE DI COMMERCIALIZZABILITÀ E IDONEITÀ PER UN PARTICOLARE SCOPO. SE GOAL ZERO NON PUÒ DISCONOSCERE LEGALMENTE LE GARANZIE IMPLICITE AI SENSI DELLA PRESENTE GARANZIA LIMITATA, TUTTE QUESTE GARANZIE, COMPRESA LE GARANZIE DI COMMERCIALIZZABILITÀ E IDONEITÀ PER UNO SCOPO PARTICOLARE SONO LIMITATE DURANTE LA DURATA DELLA PRESENTE GARANZIA. Nessun rivenditore, agente o dipendente GOAL ZERO è autorizzato a apportare modifiche, estensioni o aggiunte alla presente garanzia. N NESSUN CASO GOAL ZERO SARÀ RESPONSABILE DI QUALSIASI DANNO DIRETTO, SPECIFICO, CONSEGUENZIALE O INCIDENTALE, DERIVANTE DA QUALSIASI UTILIZZO O MALFUNZIONAMENTO DI QUALSIASI PRODOTTO GOAL ZERO, O DA QUALSIASI VIOLAZIONE DELLA GARANZIA, COMPRESI DANNI AD ALTRI DISPOSITIVI. IN NESSUN CASO GOAL ZERO SARÀ RESPONSABILE DI QUALSIASI RECLAMO, PER CONTRATTO, GARANZIA, ILLECITO CIVILE (COMPRESA NEGLIGENZA E RESPONSABILITÀ STRETTA), O AI SENSI DI QUALSIASI ALTRA IPOTESI DI RESPONSABILITÀ, SUPERATO L'IMPORTO DA LEI PAGATO PER IL PRODOTTO GOAL ZERO. Alcuni stati non consentono limitazioni sulla durata di una garanzia implicita, pertanto la suddetta limitazione potrebbe non essere applicabile. La presente garanzia assegna dei diritti legali specifici, e potrebbe anche conferirne altri che variano da stato a stato.

## **OTTENERE ASSISTENZA IN GARANZIA**

Per ottenere l'assistenza in garanzia, è necessario contattare il nostro servizio clienti via telefono al numero (888) 7946250, oppure via e-mail all'indirizzo [support@goalzero.com](mailto:support@goalzero.com). Se il nostro team di assistenza clienti stabilisce che si tratta di una questione di garanzia, verrà fornito un numero di autorizzazione per la restituzione del materiale ("RMA"). È necessario imballare correttamente il prodotto, contrassegnando chiaramente il numero RMA sulla confezione, e includendo la prova della data di acquisto con il prodotto. Quindi, è necessario inviare il prodotto via posta o corriere, con le spese di spedizione pagate dall'utente, a GOAL ZERO al numero 675 West 14600 South, Bluffdale, Utah, USA 84065. Elaboreremo il reso e invieremo il prodotto riparato o sostituito a nostre spese, per la spedizione del prodotto in località del Nord America. Per i prodotti acquistati o spediti al di fuori del Nord America, contattare il distributore locale da cui è stato acquistato il prodotto, o inviare un'e-mail a [support@goalzero.com](mailto:support@goalzero.com) per ottenere ulteriori informazioni sul distributore.



## 今すぐ充電する



Goal Zero Yeti を使用・保管する前に、プラグをコンセントに差しバッテリーを完全に充電してください。いつでも使用できるように、使用していないときは Goal Zero Yeti のプラグをコンセントに差したままにしてください。これによってバッテリーが劣化することはありません。バッテリーを正常の状態に保つためのヒントやアイデアについては、「バッテリーの基礎知識」の項を参照してください。



## 重要な安全注意事項



ケガやユニットおよび接続されている製品の損傷を防ぐために、使用前にすべての使用説明と注意事項をよく読んでください

すべての入出力コネクターの定格を守ってください。火災や感電の危険を避けるために、装置および使用する製品のすべての定格を守ってください。詳細についてはマニュアルを確認してください。

換気区域内で使用してください。使用中は適切に換気を行い、ユニットの開口部を塞がないでください。換気が不十分な場合、ユニットが損傷することがあります。保管または使用中は、ユニットの上に物を積み重ねないでください。

使用中は電源が熱くなります。Yeti 電源ユニットは必ず換気の良い乾燥した場所で使用してください。使用中は電源を蓋の下に置かないでください。

濡れた状態で操作しないでください。短絡や感電を防ぐため、ユニットを濡らさないでください。使用前にユニットを完全に乾かしてください。

ユニットを清潔かつ乾燥した状態に保ってください。ユニットに汚れ、ほこり、または湿気がないか定期的に点検してください。

感電または火災の危険。この Yeti は、通常の家庭用壁コンセントと同様に、致命的な結果を招く可能性のある AC 電源を生成します。通常の AC 壁コンセントと同じように、注意してご使用ください。

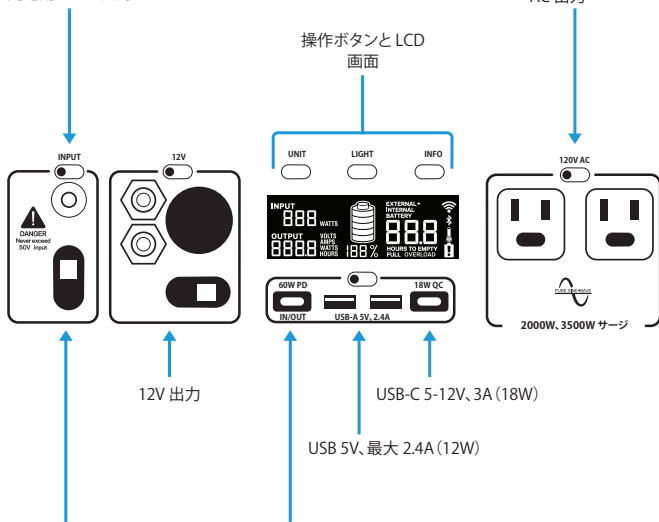
異物を排気口や通気孔に挿入しないでください。

バッテリーに手を加えたり、交換しようとししないでください。交換用バッテリーについては、Goal Zero ソリューションセンターにお問い合わせください。

ユニットまたはその構成部品に手を加えた場合、すべての保証が無効になります。

## 機器を理解する

Goal Zero ソーラーパネルまたは AC  
による充電用 8mm 入力



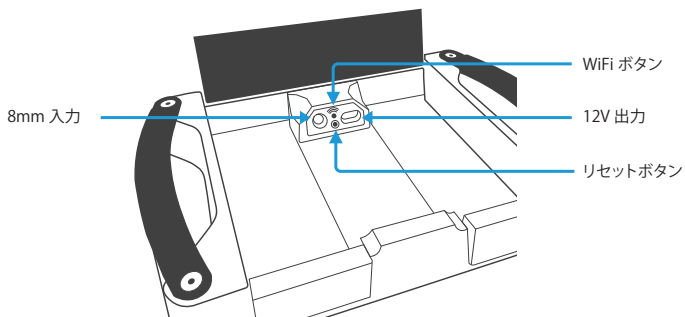
Goal Zero ソーラーパネルまたは  
AC 電源による充電用アンダー  
ソンパワーボール入力

USB-C 入出力電源供給  
5-20V、最大 3A (60W)

蓋の下にあるボタン。

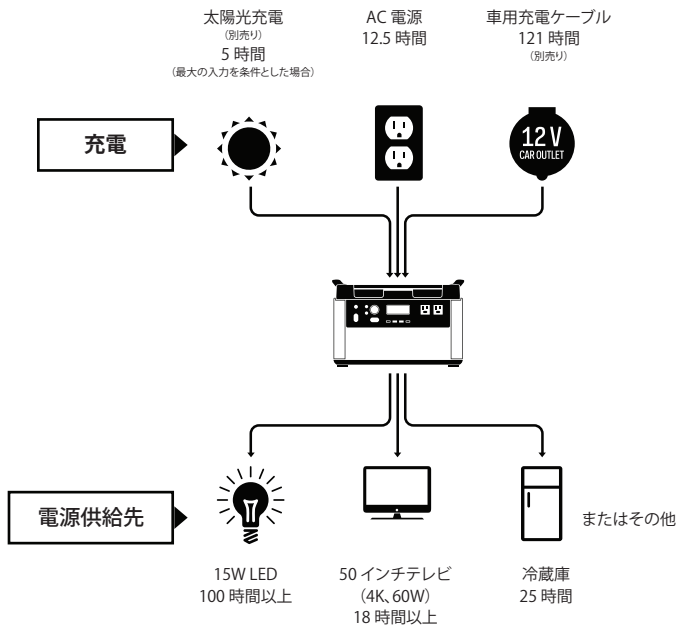
WiFiボタンを押すと、デバイスへ接続するための Yeti の WiFi が有効になります。Yeti へのデバイスの接続については、Yeti アプリのスタートアップガイドをご覧ください。また、WiFi ボタンを長押しすると、ペアリングモードと接続モードが切り替わります。

長押しすると、ソフトリセットが実行されます（出荷時設定にはリセットされず、ワット時もリセットされません）。UNIT ボタンを長押しすると、ワット時カウンターがリセットされます。





## 使用方法



## Goal Zero Yeti の充電

今すぐ充電: 使用または保管する前に、Goal Zero Yeti のプラグをコンセントに差して完全に充電してください。いつでも使用できるように、使用していないときは Goal Zero Yeti のプラグをコンセントに差したままにしてください。これによってバッテリーが劣化することはありません。バッテリーを正常の状態に保つためのヒントやアイデアについては、「バッテリーの基礎知識」の項を参照してください。

Goal Zero Yeti の充電中は、ディスプレイのバッテリーセグメントが点滅します。これは現在の充電状況を示しています。Goal Zero Yeti の充電が完了すると、すべてのバッテリーセグメントが点灯した状態になります。Goal Zero Yeti への供給電力量が出力ポートから供給される出力量を上回っている間は、ディスプレイに充電が完了するまでの時間も表示されます。これは、その時点での電力の入力値と出力値に基づく推定時間です。この時間は平均充電率または放電率の変動に応じて、徐々に調整されます。

### コンセントからの充電

付属の AC 電源充電器を使って、Goal Zero Yeti をコンセントにつなぎます。Goal Zero Yeti が充電されている間は、INPUT (入力) ポートの横にある青色の LED が点灯し、バッテリー画面のバッテリーセグメントが点滅します。Goal Zero Yeti の充電が完了すると、バッテリーセグメントは点滅から点灯に変わります。Goal Zero Yeti の壁コンセントからの充電は、約 13 時間で完了します。

1. コンセント用の AC アダプターは 2 つの部分で構成されています。ケーブルをボックスに接続して 2 つを接続します。
2. 8mm DC パレルコネクタ付き 120W AC 電源充電器は、Yeti の前面または蓋の下に接続できます。
3. 電源充電器は一度に 1 つのみ使用できます。Yeti を早く充電したい場合は、ソリューションセンターにお問い合わせいただくか、[goalzero.com](http://goalzero.com) の高速充電オプションをご覧ください。

注意: 車の 12V 出力から充電する場合は、12V 車用充電ケーブル SKU 98079 を使用してください。

## 太陽光による充電

**重要:**ソーラーパネルで Goal Zero Yeti を充電する際には、ソーラーパネルの電圧が 50V を超えないように注意してください。50V を超える単一または直列接続のソーラーパネルは、ユニットに深刻な損傷を与える可能性があるため、Goal Zero Yeti では使用できません。ソーラーパネルの連結についてのサポートは、カスタマーソリューションセンター（電話：888-794-6250）までお問合せください。

太陽光による充電時に使用できる入力 は 3 つあり、そのうち 2 つは Goal Zero Yeti の前面部左側の「入力」エリアに、もう 1 つは上蓋の下のストレージコンパートメント内にあります。前面部のポート 1 つとストレージコンパートメント内のポートは、8mm の丸型ポートで、Goal Zero ソーラーパネルや電源充電器に使用できます。各 8mm 入力ポートは、最大 120W まで対応します。アンダーソンパワーポールポートは、大容量電力または高電力のソーラーパネルで使用でき、600W までの電力に対応します。これは、全入力ポートの合計電力容量です。

1. ソーラーパネルを太陽光が最も直接当たる場所に置きます。
2. 青いリングの付いたソーラーパネルのプラグを Goal Zero Yeti 前面部または上蓋の下にあるストレージコンパートメント内の INPUT (入力) ポートの 1 つに差し込みます。Goal Zero Yeti が充電中のときは、INPUT ポートの横にある青い LED ライトが点灯し、バッテリー画面のバッテリーセグメントが点滅します。Goal Zero Yeti の充電が完了すると、バッテリーセグメントは点滅から点灯に変わります。
3. 必要に応じて適切なアダプターを使用することで 8mm 充電ポートの横にあるアンダーソンパワーポールポートを使用して、Goal Zero Yeti をソーラーパネルに接続することもできます。
4. 複数の Goal Zero ソーラーパネルを連結して、ソーラーパネルによる充電時間を短くすることができます。お使いの Goal Zero Yeti は、8mm ポートからの入力は各 120W まで、アンダーソンパワーポールポートからのソーラー電力には最大 600W まで対応します。

**注意:** 複数のポートにソーラーパネルを差し込んで入力する場合、使用しているパネルの電圧が同じ場合に限り、入力を組み合わせることができます。複数のポートを使用して出力電圧の異なる

る/パネルを組み合わせることはできません。電圧が異なるパネルを複数の入力ポートで使用している場合、Yetiは最も高い入力のみを選択して利用します。また、ソーラー入力とAC入力を組み合わせることもできません。ソーラーパネルと壁コンセントの両方から入力されている場合、Yetiは高い方の入力を選択して利用します。

## Goal Zero Yeti の使用

Goal Zero Yeti の使用方法:

1. 使用する各ポートの上にある電源ボタンを押します。\*\*使用していないポートはオフにして節電してください。
2. ポートがオンになると、ボタンの白色のLEDライトが点灯します。
3. どこでも必要な場所で機器のプラグを差し込んでお使いください。
4. Goal Zero Yeti を使用していないときは、できるだけプラグを電源につなげるようにしてください。
5. Goal Zero Yeti の充電中も同時に機器を使用できます。

最適な使用方法:

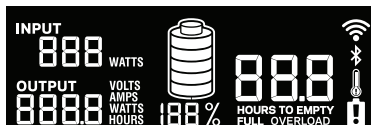
Goal Zero Yeti で機器を充電している間は、バッテリー画面にご留意ください。高い電力が必要な機器(大きな冷蔵庫など)を接続すると、Goal Zero Yeti の充電レベルが急速に低下し、確実に1500Whの電力が供給されないことがあります。また、特にAC電源出力を使用している際には、Goal Zero Yeti はバッテリーのDC電源をデバイスが必要とするAC電源に変換しています。Goal Zero Yeti には高性能なインバーターが搭載されていますが、変換時には一定の電力が失われるため、バッテリーの定格出力にはなりません。実行時間が短い場合は、デバイスの電源要件を確認してください。トラブルシューティングを参照してください。

低温環境での使用:

低温（氷点下）での使用は、Goal Zero Yeti のバッテリー能力に影響を及ぼします。氷点下の環境で自家発電生活している場合は、Goal Zero Yeti を断熱クーラーに入れて電源（ソーラーパネル）に接続し、機器を充電することをお勧めします。断熱クーラー内の Goal Zero Yeti から自然発生する熱が、バッテリー能力を最大限に保つのに役立ちます。安全上の理由から、氷点下では Yeti を充電しないでください。ユニットの LCD 画面には、この温度に近づくると警告が表示されます

#### LCD 画面

内蔵 LCD 画面には、4 つの重要な情報が表示されます。



1. INPUT (入力) は、充電中に Goal Zero Yeti に入る電力量 (ワット) を示します。太陽光から充電している場合は、太陽光に向けてパネルの位置を動かすとワット数が変化するのを目で見て確認できます。
2. OUTPUT (出力) は、Goal Zero Yeti に接続されている機器が使用している電力量 (ワット) を示します。
3. TIME TO FULL/TO EMPTY (フル充電または空になるまでの時間) は、Goal Zero Yeti がフル充電される (または空になる) までの時間を示します。Goal Zero Yeti に入る電力量の合計が正か負かによって変化します。
4. バッテリーレベルは、5 つのセグメントで約 20% - 40% - 60% - 80% - 100% の残量を示します。Goal Zero Yeti の使用とともに、残りの充電量に応じて表示されるセグメント数が減っていきます。Goal Zero Yeti の充電中は、バッテリーセグメントが点滅します。これは現在の充電状況を示しています。Goal Zero Yeti の充電が完了すると、すべてのバッテリーセグメントが点灯した状態になります。Goal Zero Yeti への供給電力量が出力ポートから供給される出力を上回っている間は、ディスプレイに充電が完了するまでの時間も表示されます。これは、その時点での電力の入力値と出力値に基づく推定時間です。この時間は平均充電率または放電率の変動に応じて、徐々に調整されます。電源がソーラーパネルが壁コンセントにかかわらず、電源から電力を取り込み始める前に、充電回路を検出し調整するまで少し時間がかかることがあります。
5. WiFi のシンボルは、Yeti の WiFi が有効になっていることを示します。点滅している場合、Yeti はデバイスに接続する準備ができています。

フロントボタン:

LIGHT (ライト) ボタンを押すと、画面のバックライトのオン/オフが切り替わります。

UNIT (ユニット) ボタンを押すと、出力と電力消費の設定 (選択肢) をスクロールできます。UNIT (ユニット) + INFO (情報) を長押しすると、出荷時設定にリセットされます。これにより、WiFi 情報と設定が削除されます。UNIT (ユニット) ボタンを長押しすると、ワット時カウンターがリセットされます。

INFO (情報) ボタンを押すと、バッテリーの充電のパーセント表示と Empty/Full (空またはフル充電) までの時間の表示が切り替わります。

## 保管時および使用していないときのメンテナンス

旅行の途中や保管時に、ソーラーパネルやコンセントなどの電源に Goal Zero Yeti をつないでおくことで、バッテリーを良好な状態に保ち、フル充電しておくことができます。これによりバッテリーの寿命を延ばし、Goal Zero Yeti を充電された状態に保つことで毎日、一日中いつでも使うことができます。

**保管時に Goal Zero Yeti を電源につないでおくことができない場合は、3ヶ月ごとに Goal Zero Yeti をフル充電して、乾燥した涼しい場所に保管してください。Yeti を数ヶ月間使用しなかった場合は、画面に表示されるバッテリーの割合と残り時間の正確な数値を復元するまでに、充電サイクルを数回繰り返す必要がある場合があります。これらの手順に沿った Goal Zero Yeti のメンテナンスを怠った場合は、バッテリーを損傷してしまう恐れがあり、製品保証は無効となります。**

## 技術仕様

### 充電時間:

電源充電器 (120W)	13 時間
車載充電器 (120W)	13 時間
Goal Zero Boulder 50	48~60 時間
Goal Zero Boulder 100	24~30 時間
Goal Zero Boulder 200 プリーフケース	12~15 時間

### バッテリー:

セルの種類	リチウムイオン NMC
パックの容量	1516Wh (10.8V、140.4Ah)
単一セルの場合の容量	421Ah @ 3.6V
充電寿命	500 回で 80% の容量 (放電率:1C、フル充電/放電、温度:25C)
バッテリーの保存期間	3~6 ヶ月ごとに充電
管理システム	MPPT 充電コントローラー

### ポート:

USB-A ポート (出力)	5V、2.4A まで (最大 12W)、安定化
USB-C ポート (出力)	5 -12V、3.0A まで (最大 18W)、安定化
USB-PD ポート (出力)	5 -20V、3.0A まで (最大 60W)、安定化
6mm ポート (出力、6mm)	12V、10A まで (最大 120W)、安定化
12V 車用ポート (出力)	12V、13A まで (最大 160W)、安定化
12V パワーボールポート (出力)	12V、30A まで (最大 360W)、安定化
120V AC インバーター (出力、純正弦波)	120VAC 60Hz、16.5A (2000W、3500W サージ)
230V AC インバーター (出力、純正弦波) ユニバーサルまたはオーストラリア (タイプ 1) AC プラグ	230VAC 50Hz、8.5A (2000W、3500W サージ)
充電ポート (入力、8mm)	14-50V、10A まで (最大 120W)
パワーボール充電ポート (入力)	14-50V、50A まで (最大 600W)
拡張モジュールポート	蓋の下にあるポート。Goal Zero の拡張モジュールとの併用のみ。

## 技術仕様

### WiFi:

RF 認証	FCC/CE/IC/TELEC/KCC/SRRC/NCC
プロトコル	802.11 b/g/n (802.11n 最大 150 Mbps)
周波数範囲	2.4~2.5 GHz

### Bluetooth:

プロトコル	Bluetooth Low Energy
-------	----------------------

### 全般:

重量	45.64 lbs (20.7 kg)
寸法	15.25 x 10.23 x 10.37 インチ (38.74 x 25.98 x 34.54 cm)
動作温度	32~104 F (0~40 C)
安全規格	④ ㉔ C E FC
保証	24 ヶ月



## よくある質問

Goal Zero Yeti にはどのような種類のバッテリーが使われていますか？

Goal Zero Yeti にはカスタム設計されたリチウムイオンバッテリーが使用されています。リチウムイオンバッテリーには次のような基本的特徴があります。

1. リチウムイオンバッテリーは短期間に大量のエネルギーを蓄積、放出することができます。Goal Zero Yeti のバッテリーは、高度なバッテリー管理を行い、外部からシステムを保護するケースに入っています。
2. 湿気や水分は、保護を通り抜け、保護回路の裏のバッテリーセルに到達することができるため、バッテリーを濡らさないことが重要です。

Goal Zero Yeti が充電されているかどうかは、どのように分かりますか？

Goal Zero Yeti の充電レベルをチェックするには、バッテリー画面を確認してください。画面の点灯時に、5つのセグメントに分けられたバッテリーの図が表示され、現在の充電レベルを確認できます。Goal Zero Yeti は、フル充電の状態でない場合でも使用することが可能です。

Goal Zero Yeti が自分の機器に対応しているかどうかは、どのように判断しますか？

まず、その機器に必要な電力量を判断する必要があります。インターネットで検索したり、お使いの機器のユーザーガイドを確認したりして、ご自分で調べる必要があります。

次に各出力ポートの容量をチェックします。たとえば、Goal Zero Yeti の AC ポートは、2000W の電力に対応するインバーターで動作します。これは、お使いの機器が長期間 2000W 以上の電力を必要とする場合、Goal Zero Yeti のインバーターは停止するということです。もうひとつ注意すべき点は、ポートのサージ定格に対するお使いの機器のサージ定格です。Goal Zero Yeti のインバーターには高度なサージ管理システムが内蔵されており、様々なデバイスとの互換性を実現していますが、サージ定格が長時間 Goal Zero Yeti の管理能力を超えた場合、ポートは自動的に停止します。

お使いの機器との互換性を確認した後は、Goal Zero Yeti がその機器にどのくらいの時間電力を供給できるかを確認しましょう。電力についてここで簡単に説明します。

すべての GOAL ZERO パワーバンクおよびポータブルパワーステーションには、名前に数字が付いています(たとえば、Guide10 Plus リチャージャー、Goal Zero Yeti 1500X など)。これらの数字はワット時(Wh)またはそれぞれの充電バッテリーに蓄積できる電力を指しており、お使いの機器がそれぞれの充電バッテリーと互換性があるかが分かります。たとえば、200Wh のパワーステーションでは、100W の照明を 2 時間点灯できます(200/100=2)。お使いの機器が Goal Zero Yeti の容量(1500Wh)範囲内であることが確認できたら、各出力ポートの制限をチェックしましょう。

計算する上でのもう一つ考慮すべき要因は、Goal Zero Yeti バッテリーからから供電/充電している機器に変換される電力量です。LAL 350 などの 12V デバイスを 12V ポートから直接使用する場合などの一定の状況では、変換は行われられないため、変換による電力損失はありません。携帯電話を充電するのに USB ポートを使用する場合には、変換が行われるため(Goal Zero Yeti 内の 12V バッテリーが 5V の USB 出力に変換される)10% ほどの電力が失われます。インバーターの使用時には、変換は 2 回行われます(12V から高電圧へと、DC から AC への変換)。Goal Zero Yeti バッテリーの最も非効率な使い方は、AC ポートに AC-DC アダプターをつないでしまうことです。携帯電話充電用のコンセントに差すタイプの充電器の使用がその例です。この場合、充電器に対してさらにもう一段階の変換が必要になってしまいます。

新しい GOAL ZERO 充電バッテリーで使用する機器を決める際には、機器のワット消費量をお調べください。その他のアイデアや学習ツールについては、[www.GoalZero.com/learn.html](http://www.GoalZero.com/learn.html) を参照してください。

## トラブルシューティング

お使いの機器が Goal Zero Yeti で充電できない場合は、次の手順に従ってください。

1. Output (出力) ポートがオンになっていることを確認します。電源ボタンの白色の LED ライトが点灯しているはずです。

a. いずれかのライトが赤色になっている場合には、トリップ (回路の遮断) が発生しています。ボタンをもう一度押ししてリセットしてください。リセットされると、ライトは白色に点灯します。

2. バッテリーの画面をチェックします。20% 以下になっている場合には、Goal Zero Yeti を充電してください。

3. 警告のアイコンが表示されていないか LCD 画面をチェックします。

オーバーロード: 電力消費量がポートの最大許容量を超えています。ポートのボタンが赤色に点灯します。



温度警告。ユニットの温度が下がるまでお待ちください。



バッテリーの問題への対処が必要です。カスタマーサポートにお問合せください。  
電話: 1-888-794-6250

4. お使いの機器が Goal Zero Yeti との使用に適しているかを確認します。

a. Goal Zero Yeti の出力ポートは、それぞれ最大電力容量が異なります。Goal Zero Yeti の技術仕様をチェックして、お使いの機器との互換性を確認します。

5. Goal Zero Yeti の問題が解決しない場合は、カスタマーソリューションセンター (1-888-794-6250) にお電話いただくか、support@goalzero.com までメールでお問合せください。

WiFi 接続に問題がある場合:

1. WiFi ボタンを約 3 秒間押し続けて、Yeti を強制的に接続モードにします。画面上の WiFi シンボルが点滅し始めます。

2. Goal Zero Yeti アプリ内の指示に従って、機器を Yeti に再接続します。

## バッテリーと太陽光充電について

バッテリーの基礎知識:最新かつ最高のバッテリーテクノロジーを活用した Goal Zero は、人生のあらゆる冒険に対応します。万能で軽量なりチウムイオンバッテリーから強力屈強な鉛蓄電池に至るまで、お使いの GOAL ZERO バッテリーを最適な状態に保つために有用なアイデアをここにいくつかまとめました。

i. バッテリーにもエクササイズが必要です。

バッテリーにとって最も良いことは、そのバッテリーを使うことです。充電をしない状態で長期間放置することはしないでください。Goal Zero Yeti を充電器につながずに保管する場合は、保管する前にフル充電の状態にしてください。

ii. 「バッテリーのメモリー効果」の通説。

かつてのニッケルカドミウム (NiCd) 電池のおかげで、バッテリーを充電する前には、完全に充電を使い切った(ディープ・サイクリングと呼ばれる)ほうがよいという通説が広まっています。NiCd バッテリーについてはこれは正しいですが、GOAL ZERO に使用されている高度なりチウムおよび鉛蓄電池を含む、今日通常目にする機器のバッテリーには、そのような「使い切る」作業は必要ありません。逆に、バッテリーのディープ・サイクリングは避けるべきです。ほとんどの場合、逆効果となります。

iii. 「スタジアム効果」について。

バッテリーの充電を行うと、「スタジアム効果」が起こります。最初のうちはどんどん充電していきますが、最後の数パーセントになると充電速度が急激に落ちることがあります。スタジアムのドアが開放されると最初はどんどん席が埋まっていく様子を想像してください。最初は何百もの空席があるので、自分が座りたい席を見つけるのは簡単です。最終的に空いている席が少なくなって、他の人をよけながら座りたい席を探すことになり、席を見つけるのに長い時間がかかります。バッテリーの充電にも同じ理論が当てはまります。エネルギーの流れが最初に空いている場所を見つけるのは容易なのですが、時間の経過とともに空いている場所が少なくなり、エネルギーがそのような場所を埋めるには時間が長くなるのです。

iv. 説明書を読んでください。

時間はかかるかもしれませんが、各機器に対するバッテリーの推奨事項や禁止事項を知るには説明書を読むのがベストな方法です。説明書を読めば、バッテリーを良好な状態に保つための方法が分かります。

太陽光充電の基礎知識:GOAL ZERO では、太陽光からお使いの機器を簡単に充電できます。太陽光電力を発明したのは私たちではありませんが、それを究めたのは私たちです。太陽光でお使いの機器を充電する際に覚えておくべき点を以下に紹介します。

i. ソーラーパネルは太陽光のエネルギーを蓄えるのではなく、集めます。

エネルギーを「集め」、「蓄え」、「使う」方法をお教えます。太陽光を使ってお使いの機器を充電するベストな方法です。太陽光により太陽のエネルギーを「集め」ます。バッテリーにそのパワーを「蓄え」ます。バッテリーを「使って」お使いのデバイスに昼も夜も電力を供給します。本当に電気が必要などきは、お使いのデバイスをNOMAD Solar Panelの背面部にある接続箱に直接接続して太陽光から充電することができます。

ii. ソーラー充電の時間計算はどれも同じではありません。

ほとんどのソーラーパネル製造メーカーは、次の等式を使って充電時間を計算しています:デバイスのワット時/ソーラーパネルのワット数=ソーラー充電時間。理論的には、13ワットのソーラーパネルは、50ワット時間のバッテリーを3.84時間( $50/13 = 3.84$ )で充電できることとなります。ソーラーパネルのカタログにはこのような数字が書かれています。ただし、全メーカー間でテスト結果を標準化するために、このようなテストは試験室環境で行われています。実際に取り込む量は、晴天の日で、ソーラーパネルに記載されたワット数のおよそ65~85%です。GOAL ZEROのエンジニアは、この方法で製品のパッケージに記載されている太陽光による充電時間を計算しています。

iii. ソーラーパネルは曇りの日でも使うことができます。

ソーラーパネルは、雲を貫通する太陽からの赤外線、紫外線、可視光線を使うからです。曇りの日にはソーラーパネルの効率は下がりますが、それでも太陽から貴重なエネルギーを集めることができます。

iv. 日陰や窓からは離してください。

人は日差しが強いと日陰に入りたくになりますが、ソーラーパネルは太陽光に完全にさらしたほうがエネルギーがたくさん集まります。窓も効率を低下させる特徴があります。ソーラーパネルは、外の明るい日差しが当たる場所に置くようにしてください。

v. 適切な角度が大切です。

太陽に対し、ソーラーパネルを適切な角度に保つことで、太陽光による効率が劇的に向上します。適切な角度に置いて、あとは自然の力に任せましょう。

## 保証とお問い合わせ

### 限定的保証

GOAL ZERO LLC (以下、「GOAL ZERO」)は、元の購入者に対し、下記第2項に記された保証期間内(第5項に明記された免責条件に従う)の通常の使用において、本 GOAL ZERO 製品に製造上および材料の欠陥がないことを保証します。前述の規定は、明示または黙示を問わず、保証の不履行に関する GOAL ZERO の全責任、およびお客様への唯一の賠償を記すものです。当社の製品の販売に関連したその他のいかなる法的責任を当社が負ったり、他人が当社のために負うことを許可するものではありません。

### 保証期間

GOAL ZERO 鉛蓄バッテリーの保証期間は(製品の単品購入、または別の製品の一部としての購入に関わらず)180日です。

GOAL ZERO リチウムバッテリーベースの Yeti 製品および Boulder ソーラーパネルの保証期間は2年です。

その他すべての GOAL ZERO 製品および部品の保証期間は、元の購入者による購入日から1年間です。

保証期間の開始日の証明には、元の購入者が購入時に受け取った販売明細書、またはその他の妥当な証明書類が必要です。製品を購入後30日以内にオンラインの GOAL ZERO 製品登録票に記入した場合は、その登録事項も保証期間開始日の証明となります(ただし、製品の登録は保証の条件ではありません)。

### 賠償

GOAL ZERO は、自社の判断に基づいて、(1) 新品または再生交換部品を使用して製品を無料で修理するか、または(2) 新品製品、または新品または機能が同等の再生部品で製造された製品と交換します。製品/部品の交換は、元の製品の残りの保証期間、または交換日または修理日から90日間のいずれか長い方の保証期限に基づいて保証されます。製品または部品の交換を行った場合、交換品はすべてお客様の所有物となり、交換された品目は GOAL ZERO の所有物となります。

### 元の購入者に対する限定

本保証は元の購入者にも適用され、GOAL ZERO 製品の後の所有者には譲渡できません。

### 免責事項

この限定保証は、「GOAL ZERO」の商標、商号、またはロゴが貼付されている GOAL ZERO が製造したハードウェア製品にのみ適用されます。限定保証は、GOAL ZERO 製品と一緒に梱包または販売されている場合にも、GOAL ZERO 以外の製品には適用されません。GOAL ZERO 以外のメーカーまたはサプライヤーは、独自に保証を提供する場合があります。隣接している米国本土48州以外での使用の場合、リチウムパワーステーションおよび Boulder ソーラーパネルには1年間の保証期間が適用されます。1年間の保証期間終了後に隣接している48州以外の消費者から

リチウムパワーステーションおよび Boulder パネルに対する請求があった場合は、地域の各規制基準に従って、個別に判断し処理されます。

本保証は、以下には適用されません。(i) 事故、乱用、誤用、不正使用、または GOAL ZERO 以外の製品による損傷。(ii) GOAL ZERO 以外の者が行ったサービスによって生じた損害。(iii) GOAL ZERO の書面による許可なしに変更された製品または部品。(iv) GOAL ZERO のシリアル番号が削除または改ざんされた製品、または (v) オンラインオークションハウスで購入された製品。この限定保証は、製品の購入後 7 日以内、およびその後少なくとも 6 ヶ月に 1 回、バッテリーセルが完全に充電されている場合を除き、バッテリーセルまたはバッテリーセルを含む製品には適用されません。

本保証および上記の賠償は限定的であり、口頭または書面、明示または黙示に関わらず、その他のすべての保証、賠償および条件にとって代わるものです。GOAL ZERO は、商品性および特定目的の適合性についての黙示保証を含むこれに限定されない黙示の保証を一切放棄します。GOAL ZERO がこの限定保証に基づく黙示の保証を適法に免れることができない場合には、商品性および特定目的の適合性を含むすべての保証は、この保証の期間に限定されます。GOAL ZERO の再販業者、代理店、または従業員は、この保証の変更、延長、または追加を行うことはできません。いかなる場合においても、GOAL ZERO は、GOAL ZERO 製品の使用または誤動作、または他のデバイスへの損傷を含む保証の違反による、直接的、特別、結果的、または付随的な損害に対して一切の責任を負いません。いかなる場合においても、GOAL ZERO は、契約、保証、不法行為（過失および厳格責任を含む）、またはその他の責任理論に基づいて、お客様が GOAL ZERO 製品に対して支払った金額を超えるいかなる請求についても責任を負わないものとします。州によっては黙示保証の有効期間の限定が認められない場合があるため、前記の限定はお客様に適用されないことがあります。本保証によりお客様に特定の法的権利が付与されますが、州ごとに異なるその他の権利がお客様に付与される場合もあります。

#### 保証サービスの取得

保証サービスを受けるには、電話 (888-794-6250) またはメール (support@goalzero.com) で当社のカスタマーサービスチームにお問合せください。カスタマーサービスチームによって保証事項であると判断されると、返品確認番号 (RMA) が発行されます。お客様はその製品と購入日の証明を適切に梱包し、パッケージに RMA 番号を明記する必要があります。梱包した製品を郵送または宅配便 (送料はお客様の自己負担) で GOAL ZERO (住所: 675 West 14600 South, Bluffdale, Utah, USA 84065) までお送りください。当社で返品された製品を処理し、修理品または交換品をお客様に送付します。北米の住所に送付される製品については当社が費用を負担します。北米以外で購入された製品または発送される製品については、製品を購入した地域の販売代理店にご連絡いただくか、support@goalzero.com までメールにて販売代理店情報をお問い合わせください。







## GOAL ZERO HEADQUARTERS

675 West 14600 South  
Bluffdale, UT 84065  
1-888-794-6250  
Designed in the U.S.A.  
Made in China

Goal Zero Yeti is a trademark of Goal Zero.

This equipment has been tested and found to comply with the limits for a Class B digital device, pursuant to part 15 of the FCC Rules. These limits are designed to provide reasonable protection against harmful interference in a residential installation. This equipment generates, uses and can radiate radio frequency energy and, if not installed and used in accordance with the instructions, may cause harmful interference to radio communications. However, there is no guarantee that interference will not occur in a particular installation. If this equipment does cause harmful interference to radio or television reception, which can be determined by turning the equipment off and on, the user is encouraged to try to correct the interference by one or more of the following measures:

- Reorient or relocate the receiving antenna.
- Increase the separation between the equipment and receiver.
- Connect the equipment into an outlet on a circuit different from that to which the receiver is connected.
- Consult the dealer or an experienced radio/TV technician for help.

This device complies with part 15 of the FCC Rules. Operation is subject to the following two conditions: (1) This device may not cause harmful interference, and (2) this device must accept any interference received, including interference that may cause undesired operation.

**GOALZERO.COM**

JG071320V2